

## CONVEYOR ACCESSORIES SERIES 5000

Steel ball transfer unit



### Application area

Alignment of medium-heavy and heavy materials, such as plates or containers with a smooth bottom. For pushing, e.g. steel or wooden plates. Suitable for applications that require an upside-down installation.

### Direction-independent operation

The use of balls allows transporting the material in every direction. Crossings and switches can also be implemented easily. In addition, particularly soft running balls are being used.

### Good protection against dust and splashing water

For variants with steel balls, a felt seal keeps out dust and splashing water. Variants with balls in stainless steel design also feature a long corrosion resistance.

### Secure support

During operation, support balls circulate under the main ball. This accomplishes a constant and optimal support of the material.



## CONVEYOR ACCESSORIES SERIES 5000

Steel ball transfer unit



### Technical data

| General technical data |                           |
|------------------------|---------------------------|
| Platform               | 5000                      |
| Max. load capacity     | 22,000 N                  |
| Max. conveyor speed    | 0.3 m/s                   |
| Temperature range      | -30 to +40 °C             |
| Material               |                           |
| Ball                   | See load capacity table   |
| Housing material       | Zinc-plated steel (black) |
| Anti-static version    | Yes (< 10 <sup>6</sup> Ω) |

To ensure optimum load capacity, it is advised that all ball transfer units are positioned at the exact same level.

Additional variants available on request.

# CONVEYOR ACCESSORIES SERIES 5000

Steel ball transfer unit



# CONVEYOR ACCESSORIES SERIES 5000

Steel ball transfer unit

## Load capacities of series 5000

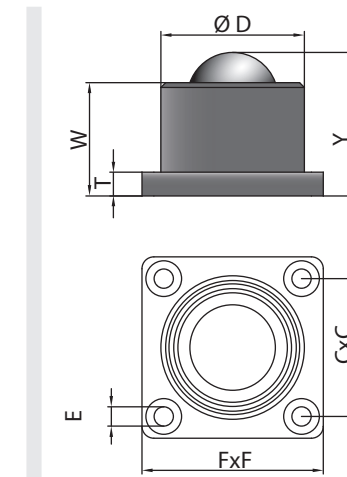
The following load capacity table refers to a temperature range of -30 to +40 °C.

| Fastener                       | Ø of ball [mm] | Ball material   | Material of support balls | Max. static load [N]       | Article number |
|--------------------------------|----------------|-----------------|---------------------------|----------------------------|----------------|
| Base flange                    | 12.7           | Chrome steel    | Chrome steel              | 460                        | S-1100048      |
|                                | 25.4           | Chrome steel    | Chrome steel              | 2250                       | S-1001365      |
|                                | 25.4           | Chrome steel    | Chrome steel              | 3750                       | S-1001366      |
|                                | 38.1           | Chrome steel    | Chrome steel              | 11000                      | S-1001367      |
|                                | 50.8           | Chrome steel    | Chrome steel              | 22000                      | S-1001368      |
| Threaded pin                   | 12.7           | Chrome steel    | Chrome steel              | 460                        | S-1001359      |
|                                | 25.4           | Chrome steel    | Chrome steel              | 2250                       | S-1001360      |
|                                | 25.4           | Chrome steel    | Chrome steel              | 3750                       | S-1001361      |
|                                | 38.1           | Chrome steel    | Chrome steel              | 11000                      | S-1001362      |
|                                | 50.8           | Chrome steel    | Chrome steel              | 22000                      | S-1001363      |
| Head flange                    | 12.7           | Chrome steel    | Chrome steel              | 460                        | S-1001369      |
|                                | 25.4           | Chrome steel    | Chrome steel              | 2250                       | S-1001370      |
|                                | 25.4           | Chrome steel    | Chrome steel              | 3750                       | S-1001371      |
|                                | 38.1           | Chrome steel    | Chrome steel              | 11000                      | S-1001372      |
|                                | 50.8           | Chrome steel    | Chrome steel              | 22000                      | S-1001373      |
| Flush installation (press fit) | 12.7           | Chrome steel    | Chrome steel              | 460                        | S-1001356      |
|                                | 38.1           | Stainless steel | Stainless steel           | 11000                      | S-1001378      |
| External suspension            | 38.1           | Chrome steel    | Chrome steel              | 9600<br>at max. deflection | S-1100285      |

Spring pretension of "External suspension" variant = 454 kg

## Dimensions

### Bottom flange (for screw fastening)



| Article number | Ø Ball [mm] | Ø D [mm] | Y [mm] | W [mm] | T [mm] | F x F [mm] | C x C [mm] | E [mm]      |
|----------------|-------------|----------|--------|--------|--------|------------|------------|-------------|
| S-1100048      | 12.7        | 23.8     | 22.2   | 18.4   | 3.2    | Ø 44.5     | Ø 34.9     | 2 x Ø 3.6   |
| S-1001365      | 25.4        | 44       | 41.3   | 35.7   | 4.8    | □ 57.2     | □ 44.5     | 4 x Ø 6.1   |
| S-1001366      | 25.4        | 50       | 44.5   | 38.1   | 6.4    | □ 76.2     | □ 57.9     | 4 x Ø 8.1   |
| S-1001367      | 38.1        | 60       | 61.5   | 48.8   | 12.7   | □ 76.2     | □ 57.9     | 4 x Ø 8.1   |
| S-1001368      | 50.8        | 100      | 98.4   | 84.1   | 9.5    | □ 127      | □ 101.6    | 4 x Ø 11.1* |

\* not countersunk

# CONVEYOR ACCESSORIES SERIES 5000

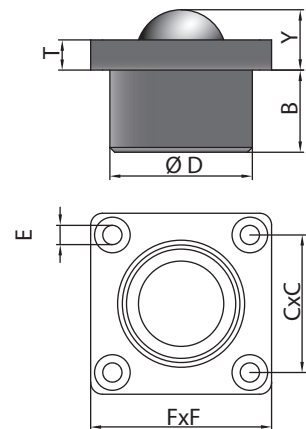
Steel ball transfer unit



# CONVEYOR ACCESSORIES SERIES 5000

Steel ball transfer unit

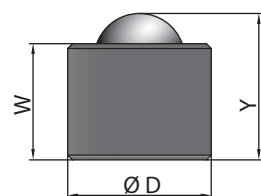
## Head flange (for screw fastening)



| Article number | Ø Ball [mm] | Ø D [mm] | Y [mm] | B [mm] | T [mm] | F x F [mm] | C x C [mm] | E [mm]      |
|----------------|-------------|----------|--------|--------|--------|------------|------------|-------------|
| S-1001369      | 12.7        | 23.8     | 11.2   | 11     | 3.2    | Ø 44.5     | Ø 34.9     | 2 x Ø 3.6   |
| S-1001370      | 25.4        | 44       | 10.3   | 31     | 4.8    | □ 57.2     | □ 44.5     | 4 x Ø 6.1   |
| S-1001371      | 25.4        | 50       | 12.7   | 31.8   | 6.4    | □ 76.2     | □ 57.9     | 4 x Ø 8.1   |
| S-1001372      | 38.1        | 60       | 25.4   | 34.6   | 12.7   | □ 76.2     | □ 57.9     | 4 x Ø 8.1   |
| S-1001373      | 50.8        | 109.5    | 33.3   | 65.1   | 19.1   | □ 127      | □ 101.6    | 4 x Ø 10.2* |

\* not countersunk

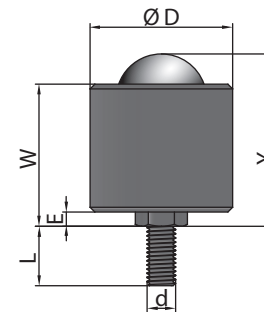
## Flush installation (press fit)



| Article number | Ø Ball [mm] | Ø D [mm] | Y [mm] | W [mm] |
|----------------|-------------|----------|--------|--------|
| S-1001356      | 12.7        | 20.6     | 19.1*  | 15.3   |
| S-1001378      | 38.1        | 60.3     | 61.5   | 48.8   |

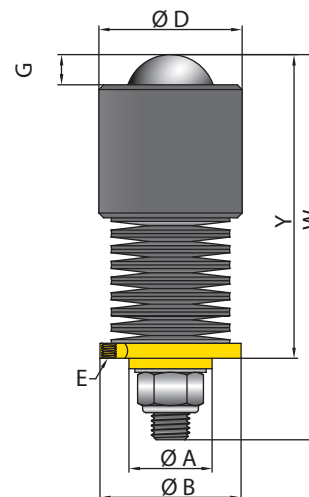
\* total height including locking pin 22.3 mm

## Threaded pin



| Article number | Ø Ball [mm] | Ø D [mm] | Y [mm] | W [mm] | L [mm] | d [mm]     |
|----------------|-------------|----------|--------|--------|--------|------------|
| S-1001359      | 12.7        | 20       | 19.1   | 15.3   | 16.1   | M8 x 1.25  |
| S-1001360      | 25.4        | 44       | 48.3   | 42.7   | 25     | M12 x 1.75 |
| S-1001361      | 25.4        | 50       | 51.3   | 44.9   | 25     | M12 x 1.75 |
| S-1001362      | 38.1        | 60       | 73.5   | 60.8   | 40     | M20 x 2.5  |
| S-1001363      | 50.8        | 100      | 105    | 90.7   | 54     | M24 x 3    |

## External suspension



| Article number | Ø Ball [mm] | Pretension [kg] | Max. deflection (recd.) | Load at max. deflection [kg] | Ø D [mm] | Y [mm] | W [mm] | Ø A [mm] | Ø B [mm] | Mounting holes E (Ø Pitch circle) [mm] | G [mm] |
|----------------|-------------|-----------------|-------------------------|------------------------------|----------|--------|--------|----------|----------|--|--------|
| S-1100285      | 38.1        | 454             | 11.1                    | 960                          | 60.3     | 129.2  | 162.1  | 35       | 59.4     | M6 x 3 (Ø 50.8)                        | 12.7   |