

# KEY PRODUCTS

## TRANSFER RM 8731



24V

48V

400V

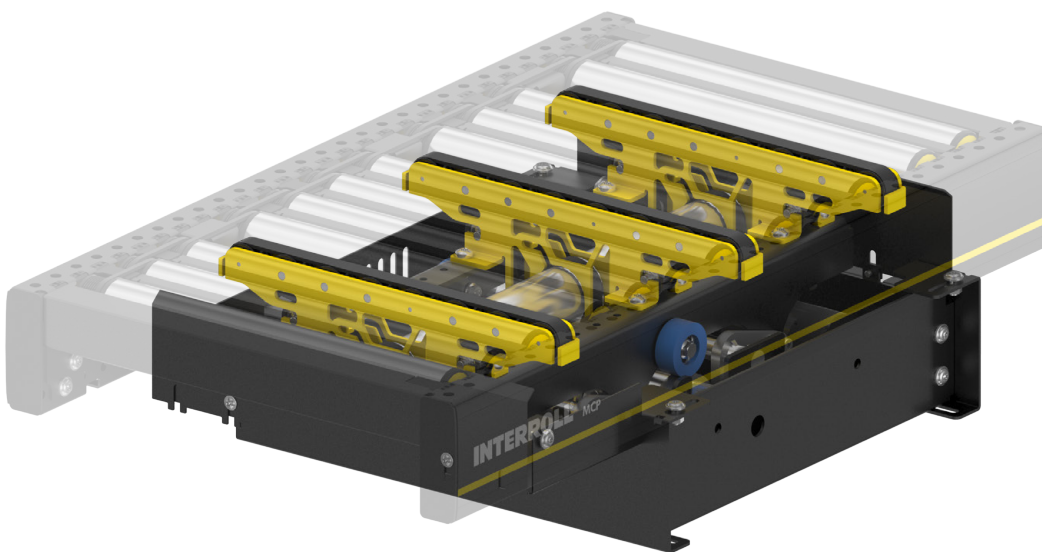


### Product description

The 24/48-V transfer is used for diverting or merging suitable conveying goods onto a roller track at a 90° angle. In the process, the unit load changes direction and orientation, i.e. the side of the product becomes the leading edge or that orientation is reversed.

### Scope of delivery

- When used in zone conveyor, supply incl. sensor kit and cable set
- Supply incl. fastening set, side guide kit and control card
- Supply without roller conveyor

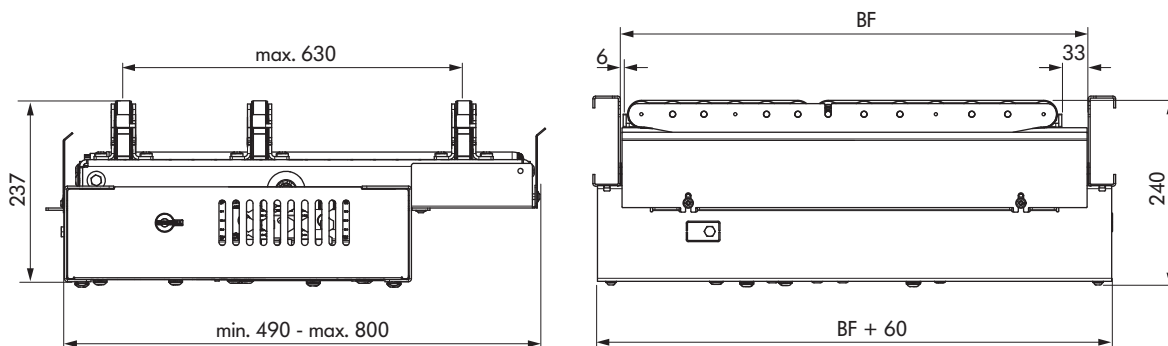


## Technical data

General technical data	
Max. load capacity*	50 kg (standard) 25 kg (chill)
Belt speed	1.0 m/s
Lifting time	0.3 s
Incline/decline	Not suitable
Ambient temperature	+5 to +40 °C
Stroke and belt drive	
Rated voltage	24 V/48 V (drive motor and lift motor)
Control	MultiControl

\*The combination of maximum values is not always possible.

## Dimensions



BF	Rated width	420, 620, 840 mm (others on request)
C1 to C5	Blade distance	Flexible distances in multiples of 90 mm
	Number of blades	Max. 5