

ROLLER CONVEYORS

RM 8240

Alignment conveyor
Powered



24V

48V

400V



Product description

The alignment conveyor guides products diagonally to the transport direction to a side frame and aligns them to the side guide, if necessary. The side guide must be suitable for this purpose.

Scope of delivery

- Supply incl. 1 sensor
- The module is partially assembled; the side guides and flat belts are enclosed separately
- Please order supports and end caps separately



ROLLER CONVEYORS RM 8240

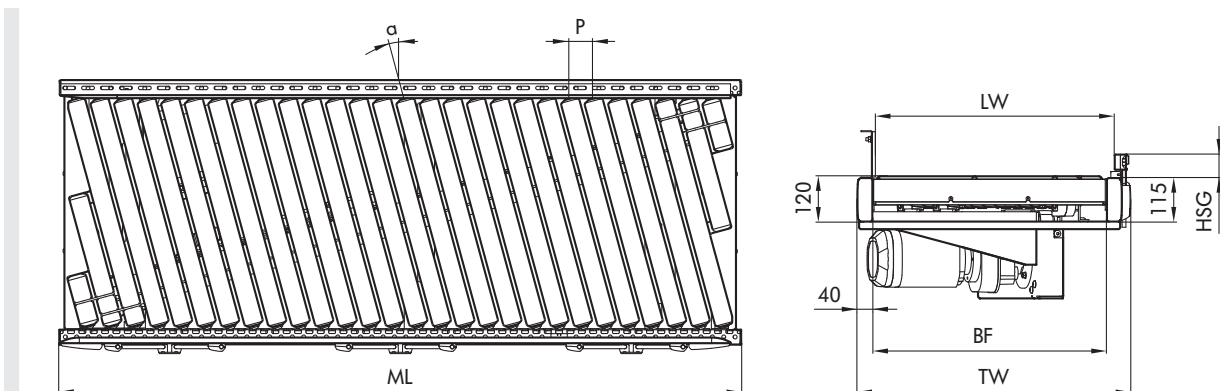
Alignment conveyor
Powered

Technical data

General technical data	
Max. load capacity*	50 kg/m
Conveyor speed*	0.1 to 1.4 m/s (at 50 kg)
Incline/decline	Not suitable
Ambient temperature	+5 to +40 °C
Roller	
Roller type	Interroll Series 1700 and Interroll Series 3500
Roller diameter	50 mm
Roller material	Steel, zinc-plated
Drive	
Rated voltage	400 V
Drive medium	Flat belt

*The combination of maximum values is not always possible.

Dimensions



BF	Rated width	420, 620, 840 mm (others on request)
LW	Clear width	BF (+ 120/-90 mm per side with flexible side guide)
ML	Module length	Max. 4080 mm
TW	Module width	BF + 80 mm
P	Roller pitch	60 mm
α	Angle of rollers	7°/15.2°
HSG	Side guide height	68 mm (standard), adjustable from 35 – 80 mm with fixed holders
	Side guide height on the alignment side	120 mm as gliding or rolling version