

# KEY PRODUCTS

## RM 6006

Lift



24V

48V

400V

### Product description

The lifting station consists of a column construction and a carriage upon which a roller conveyor is mounted. A worm gear motor with brake is used as a drive unit to raise and lower the carriage via a belt.

### Scope of delivery

- Energy chain is pre-installed
- The module is fully assembled, including sensor system, but is not electrically cabled.
- Without conveyor module
- Please request protective grid and safety elements separately

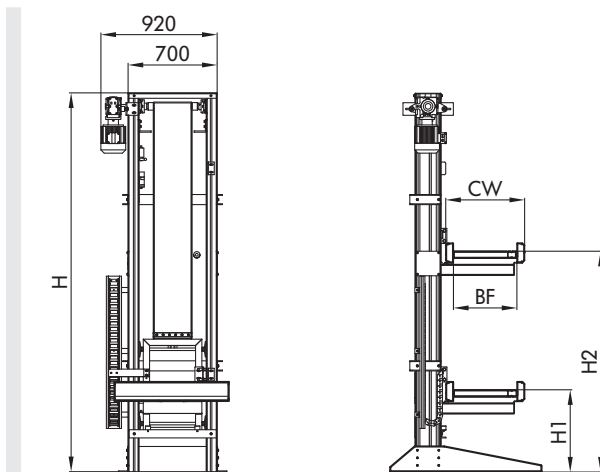


## Technical data

General technical data	
Max. load capacity*	150 kg
Lifting speed	0.1 to 0.6 m/s
Ambient temperature	-5 to +40 °C
Max. stroke height	6000 mm
Startup position	2
Lifting column	200 x 80 mm (aluminum profile)
Drive	
Motor type	Worm gear motor with brake, frequency regulation on site
Rated voltage	400 V/50 Hz/3 phases
Max. electrical power	2.2 kW
Drive medium	Belt

\*The combination of maximum values is not always possible.

## Dimensions



BF	Rated width	420, 620, 840 mm (when using Interroll modules)
H1	Lower level dimension	Min. 300 mm
H2	Upper level dimension	H1 + stroke height
H	Overall height	H2 + 600 (max. 8000 mm)
CW	Width of mounted conveyors	Max. 1300 mm

**Note:** The upper part of the lifting station must be supported on site above an overall height of 4000 mm.