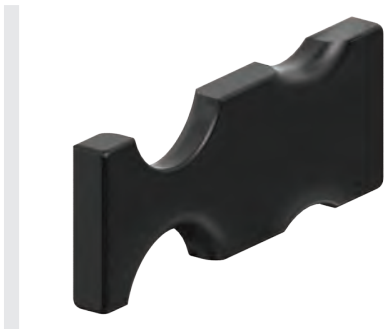


PolyVee tensioning device

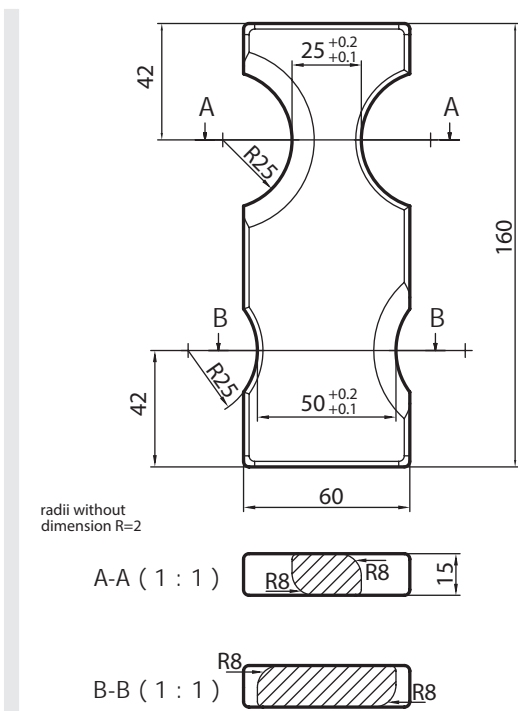


The PolyVee tensioning device enables easy tensioning of 2-rib and 3-rib PolyVee belts and is intended for roller pitches 75 mm and 100 mm. The tensioning device is designed for rollers and RollerDrive with a diameter of 50 mm. It cannot be used for tubes with tube sleeves or tapered elements.

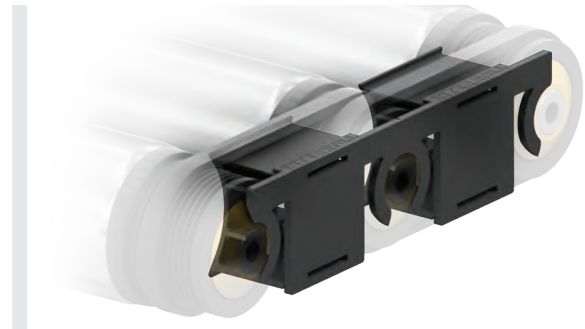
The belt is perfectly tensioned and a roller/RollerDrive is correctly aligned horizontally as well as vertically. Hence, a female threaded shaft aligns with the fastening hole in the side profile.

Article number: S-1101272

Dimensions



PolyVee finger guard



The PolyVee finger guard safely protects against inadvertently reaching between PolyVee belt and roller drive head.

Product benefits

- Quick installation and removal, no screw connections required
- Fits into any side profile, the finger guard sits on the seal of the roller or on the fastening pin of the RollerDrive
- Installation in mechanically finished conveyor systems, can also be retrofitted in existing systems
- Always the right match, the rear panel is designed directly for two belts for quicker installation. The center of rear panel features a predetermined breaking point with which it can easily split in half in case of an uneven number of belts.

Technical data

- Temperature range: 0 to +40 °C
- Color: Black
- Distance between side frame and seal of roller: min. 0.5 mm; max. 1.5 mm
- Roller pitch: 75 mm and 100 mm

Article number

- Roller pitch 75 mm: S-8863
- Roller pitch 100 mm: S-8864

Dimensions

