

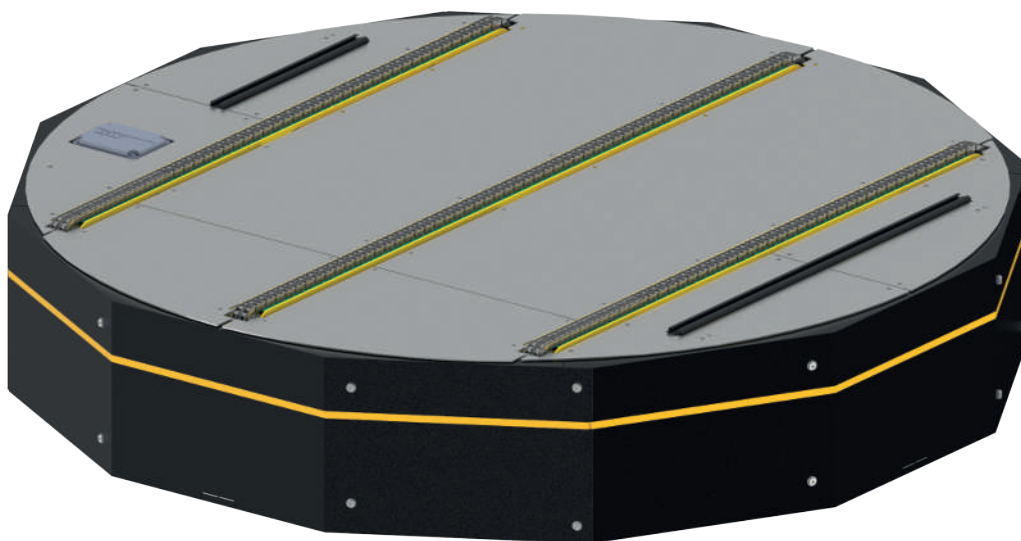
# TURNTABLE PM 9737



## Product description

The turntable is used for change of direction or for turning full and empty pallets. The turn can measure between 0° and 360°. The efficient turning motion is realized using a precision roller chain, with drive transmitted from a sprocket connected directly to the motor shaft.

The efficient turning motion is managed using a robust ball steering ring. The chain tensioning station of the rollers located on the outside allows easy retensioning of the drive chain. The drive of the roller conveyor is installed on the right side or optionally on the left in the direction of travel (DOT). Floor irregularities can easily be compensated with adjustable supports.

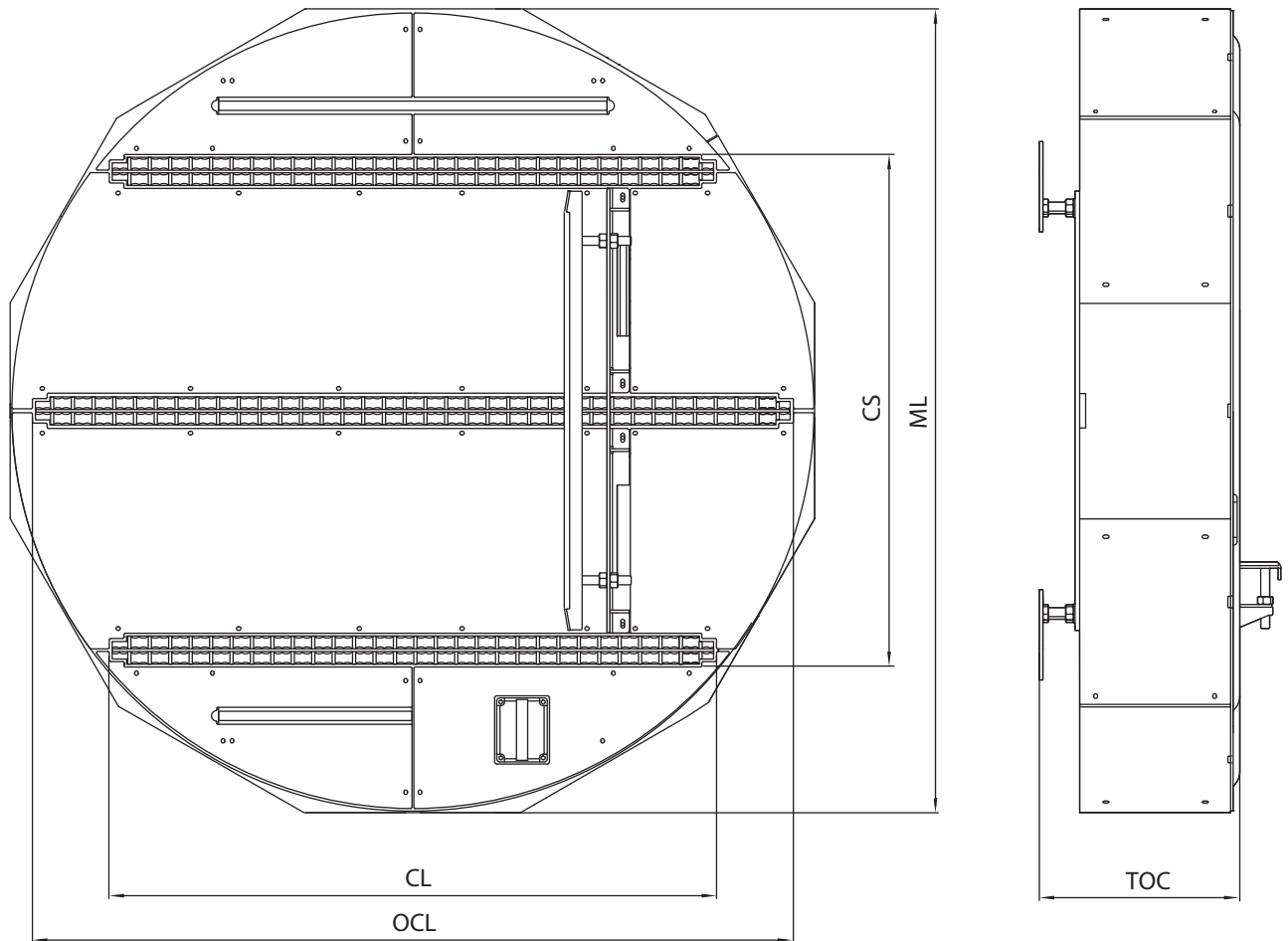


## Technical data

<b>General technical data</b>	
Max. load capacity	1500 kg/zone
Conveyor speed	0.1 to 0.5 m/s
Rotational speed (V)	90° in 4 s
Ambient temperature	-28 °C to +45 °C (non-condensing) Note: Deep freeze applications are possible only as an option
Incline/decline	Not suitable
<b>Chain conveyor drive</b>	
Rated voltage	400 V
Power	0.12 to 0.75 kW
Roller chain	5/8" x 3/8" duplex with straight bracket joints
<b>Turntable drive</b>	
Rated voltage	400 V
Motor type	Gear motor
Power	0.37 kW
Roller chain	5/8" x 3/8"
<b>Profile</b>	
Dimensions	200 x 70 x 4 mm
Color	Powder-coated, all RAL colors are possible
Material	Steel

# TURNTABLE PM 9737

## Dimensions



Conveying good width (CGW)	850, 1000, 1200 mm
Chain spacing (CS)	1075 mm
Conveying height (TOC)	350 to 1200 mm
Conveyor length (CL)	1360 mm
Overall conveyor length (OCL)	1740 mm
Module length (ML)	1890 mm