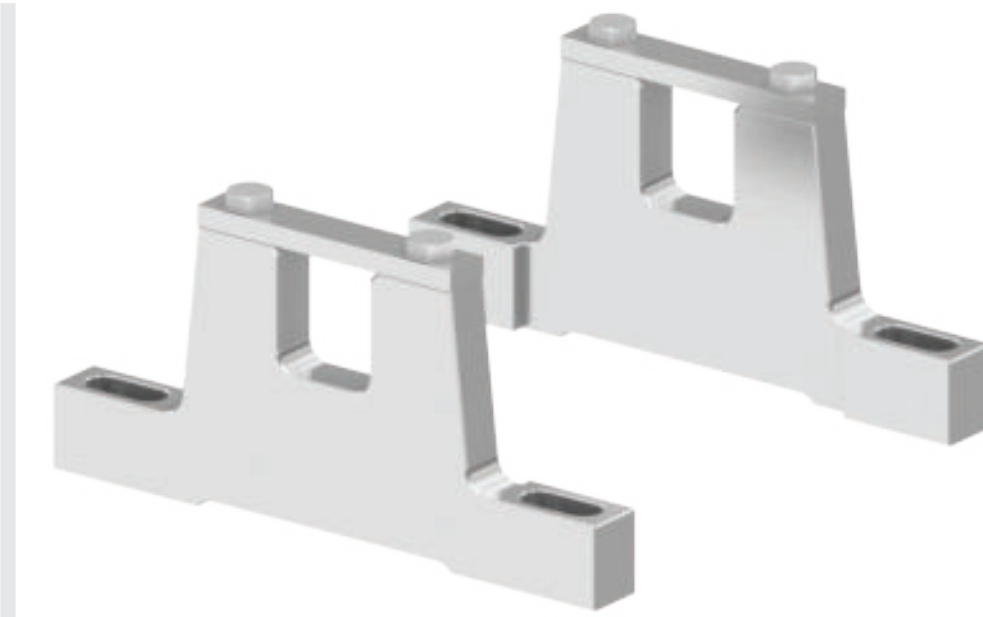


DM SERIES OPTIONS AND ACCESSORIES PLUMMER BLOCK

For drum motors and idler pulleys

Plummer block

The plummer block bracket supports a simple assembly of the drum motors and idler pulleys.



Product selection

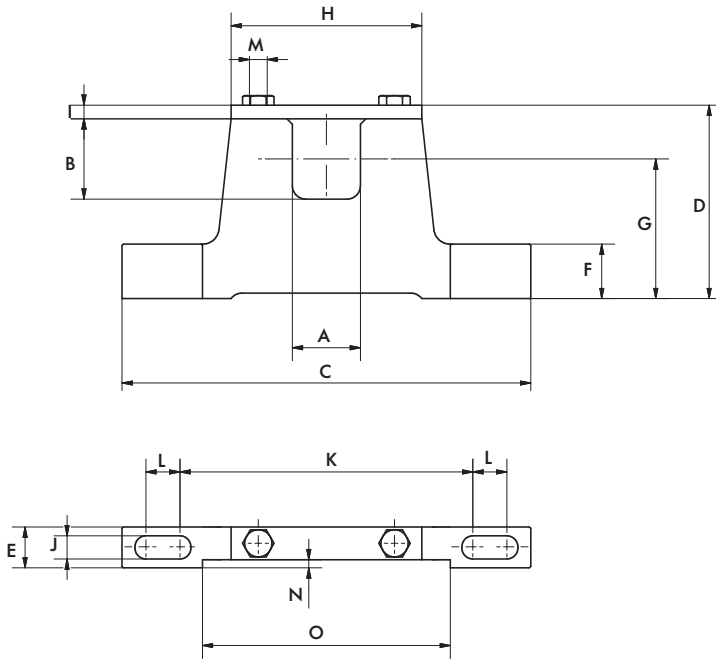
Drum motor	Material	Article number			
		WAF 13.5 mm	WAF 20 mm	WAF 25	WAF 30
DM 0080	Aluminum	61008580	61113900	61010381	
	Stainless steel	61113949	61113950	61113951	
DM 0113	Aluminum	–	61008581	61115653	
	Stainless steel	–	61115651	61115652	
DM 0138	Aluminum	–	61008582	61116301	
	Stainless steel	–	61116302	61116303	
DM 0165 / DM 0217	Cast iron	–	–	–	61009983
	Aluminum	–	–	–	61100431

WAF = Width across flats

DM SERIES OPTIONS AND ACCESSORIES PLUMMER BLOCK

For drum motors and idler pulleys

Dimensions



Drum motor/ idler pulley	Material	A [mm]	B [mm]	C [mm]	D [mm]	S [mm]	F [mm]	G [mm]	H [mm]	I [mm]	J [mm]	K [mm]	L [mm]	M [mm]	N [mm]	O [mm]
DM 0080		13.5	16.5	100	47.5	10	12	35	35	4	6.5	72.5	7.5	M6	-	-
		20	24.5	150	68.5	15	20	51	70	5	8.5	108	12	M6	3	91
		25	29.5	150	71	15	20	51	70	5	8.5	108	12	M6	3	91
DM 0113		20	24.5	150	59.5	20	15	42.5	55	5	8.5	118.5	6.5	M6	-	-
		25	29.5	150	59.5	20	15	40	55	5	8.5	118.5	6.5	M6	-	-
DM 0138		20	29.5	150	64.5	20	15	44.5	55	5	8.5	118.5	6.5	M6	-	-
		25	29.5	150	64.5	20	15	44.5	55	5	8.5	118.5	6.5	M6	-	-
DM 0165 / DM 0217	Aluminum	30	39.5	170	75	20	20	50	70	5	11	116	14	M8	-	-
	Cast iron	30	36	187	75	40	22	50	72	5	14	110	20	M10	-	-

DM SERIES OPTIONS AND ACCESSORIES PLUMMER BLOCK

For drum motors and idler pulleys

DL series

DM series

DP series

Application notes