

DM SERIES OPTIONS AND ACCESSORIES MOUNTING BRACKETS

For drum motors and idler pulleys

Cable

	Cable for incremental encoder SKF 32	Cable for incremental encoder RLS	Cable for resolver LTN	SKS36 Hiperface (Sick/ Stegman)
Main cores (number)	4	8	6	8
Cross section	0.14 mm ²	0.14 mm ²	0.14 mm ²	0.15 mm ²
Numeric code and color code	Color code	Color code	Color code	Color code
Insulation conductors (main cores)	PVC	PVC	PVC	PP
Insulation conductors (data cores)	PVC	PVC	PVC	PUR
Halogen-free	No	Yes	No	Yes
Color of outer sheath	Gray	Gray	Gray	Black
Shielded	Copper	Copper	Copper	Copper
Outside diameter	4.3 ± 0.3 mm	5.0 ± 0.2 mm	5.8 ± 0.3 mm	5.3 ± 0.3 mm
Operating voltage max.	250 V	524 V	350 V	250 V
Temperature range	-20 to +105 °C according to UL	-20 to +105 °C according to UL	-20 to +80 °C according to UL	-20 to +80 °C according to UL

Mounting brackets



In order to securely fasten Interroll Drum Motors, the corresponding idler pulleys or motors with cable connectors or terminal boxes, suitable brackets made of stainless steel, aluminum and PE are available. It is important that the drum motors feature a continuous threaded hole in the front shaft and idler pulleys a corresponding drilled hole in both shaft ends.

For the dimensions of shafts with threaded holes, refer to the dimensional drawings for the corresponding drum motor.

DM SERIES OPTIONS AND ACCESSORIES MOUNTING BRACKETS

For drum motors and idler pulleys

Product selection

Drum motor	Idler pulley	Fastening set	Material	Electrical connector	Article number			
					WAF 13.5 mm	WAF 20 mm	WAF 25 mm	WAF 30 mm
DM 0080		A + B	Aluminum	Elbow connector Straight connector Terminal box	61008694	61113879	61113880	
	IM 0080	B + C	Aluminum		61008696	61113885	61113886	
DM 0080		A + B	PE	Elbow connector Straight connector Terminal box	61008693	61113889	61113890	
	IM 0080	B + C	PE		61008695	61113895	61113896	
DM 0080		A + B	Stainless steel	Elbow connector Straight connector Terminal box	61113943	61113944	61113945	
	IM 0080	B + C	Stainless steel		61113946	61113947	61113948	
DM 0113		A + B	Aluminum	Elbow connector Straight connector Terminal box		61008698	61115658	
DM 0113		A + B	Aluminum	Cable connection slot		61008699	61115661	
	IM 0113	B + C	Aluminum			61008701	61115664	
DM 0113		A + B	PE	Elbow connector Straight connector Terminal box		61006805	61115659	
DM 0113		A + B	PE	Cable connection slot		61008697	61115662	
	IM 0113	B + C	PE			61008700	61115665	
DM 0113		A + B	Stainless steel	Elbow connector Straight connector Terminal box		61115655	61115657	
DM 0113		A + B	Stainless steel	Cable connection slot		61115656	61115660	
	IM 0113	B + C	Stainless steel			61115654	61115663	

DM SERIES OPTIONS AND ACCESSORIES MOUNTING BRACKETS

For drum motors and idler pulleys

Drum motor	Idler pulley	Fastening set	Material	Electrical connector	Article number			
					WAF 13.5 mm	WAF 20 mm	WAF 25 mm	WAF 30 mm
DM 0138		A + B	Aluminum	Elbow connector Straight connector Terminal box		61008704	61116284	
DM 0138		A + B	Aluminum	Cable connection slot		61103900	61116285	
	IM 0138	B + C	Aluminum			61008706	61116286	
DM 0138		A + B	PE	Elbow connector Straight connector Terminal box		61008702	61116287	
DM 0138		A + B	PE	Cable connection slot		61100570	61116288	
	IM 0138	B + C	PE			61008705	61116289	
DM 0138		A + B	Stainless steel	Elbow connector Straight connector Terminal box		61116298	61116295	
DM 0138		A + B	Stainless steel	Cable connection slot		61116299	61116296	
	IM 0138	B + C	Stainless steel			61116300	61116297	
DM 0165*		A + B	Aluminum	Elbow connector Straight connector Terminal box				61008707
DM 0165*		A + B	Aluminum	Cable connection slot				61103901
	IM 0165*	B + C	Aluminum					61008708

Please take the key flat length into account when ordering the drum motor.

* DM 0165 only with key flat lengths of 25 mm

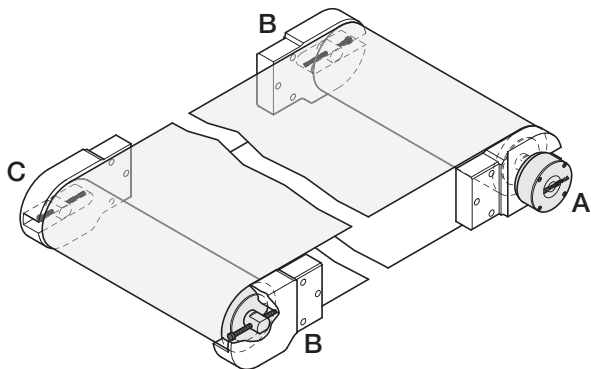
WAF = Width across flats

DM SERIES OPTIONS AND ACCESSORIES MOUNTING BRACKETS

For drum motors and idler pulleys

Mounting overview

Brackets must be mounted in the following way:



Dimensions DM 0080

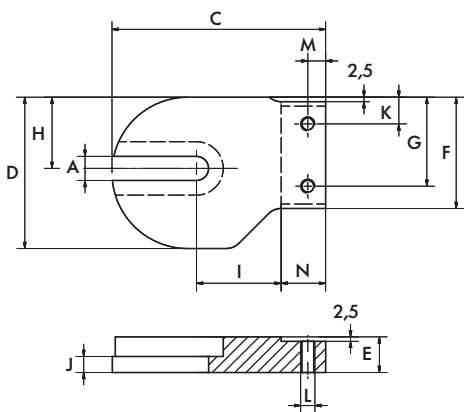


Fig.: Right bracket (A) aluminum or VA

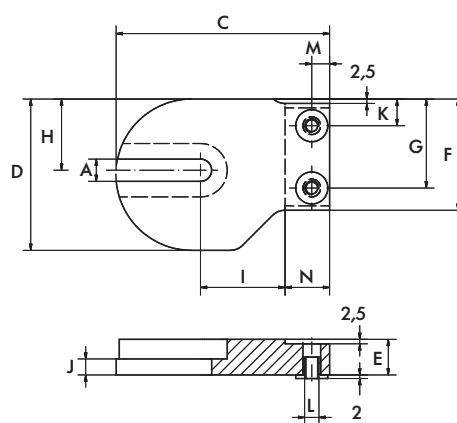


Fig.: Right bracket (A) PE

Drum motor/deflection roller	A [mm]	C [mm]	D [mm]	S [mm]	F [mm]	G [mm]	H [mm]	I [mm]	J [mm]	K [mm]	L	M [mm]	N [mm]
DM 0080	13.5	120	85	20	62.5	50	40	47.5	9	15	M8	10	25
	20	120	85	20	62.5	50	40	47.5	9	15	M8	10	25
	25	120	85	20	62.5	50	40	47.5	9	15	M8	10	25

DM SERIES OPTIONS AND ACCESSORIES MOUNTING BRACKETS

For drum motors and idler pulleys

DL series

DM series

DP series

Application notes

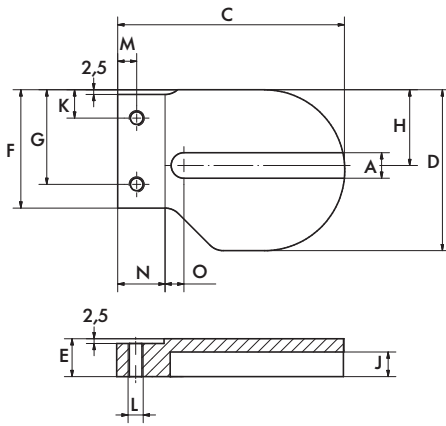


Fig.: Left bracket (B) aluminum or VA

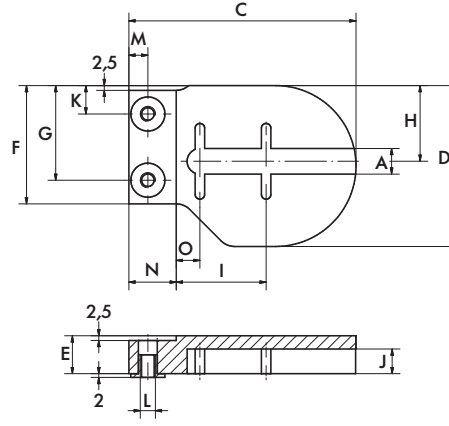


Fig.: Left bracket (B) PE

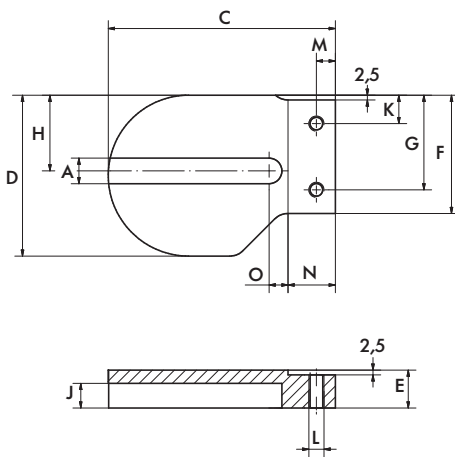


Fig.: Right bracket (C) aluminum or VA

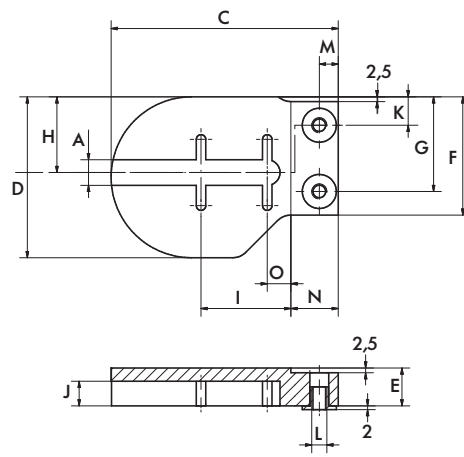


Fig.: Right bracket (C) PE

Drum motor/ idler pulley	Material	A [mm]	C [mm]	D [mm]	S [mm]	F [mm]	G [mm]	H [mm]	I [mm]	J [mm]	K [mm]	L	M [mm]	N [mm]	O [mm]
DM 0080	Aluminum	13.5	120	85	20	62.5	50	40	–	13	15	M8	10	25	10
		20	120	85	20	62.5	50	40	–	13	15	M8	10	25	10
		25	120	85	20	62.5	50	40	–	13	15	M8	10	25	10
	PE	13.5	120	85	20	62.5	50	40	42.5	13	15	M8	10	25	12.5
		20	120	85	20	62.5	50	40	42.5	13	15	M8	10	25	12.5
		25	120	85	20	62.5	50	40	42.5	13	15	M8	10	25	12.5
	VA	13.5	120	85	20	62.5	50	40	–	13	15	M8	10	25	10
		20	120	85	20	62.5	50	40	–	13	15	M8	10	25	10
		25	120	85	20	62.5	50	40	–	13	15	M8	10	25	10

DM SERIES OPTIONS AND ACCESSORIES MOUNTING BRACKETS

For drum motors and idler pulleys

DM 0113, DM 0138 and DM 0165 dimensions

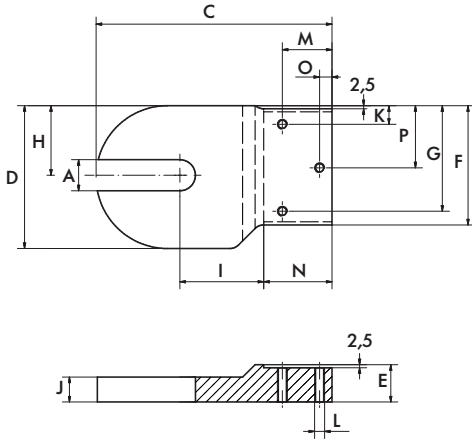


Fig.: Right bracket (A) aluminum or VA

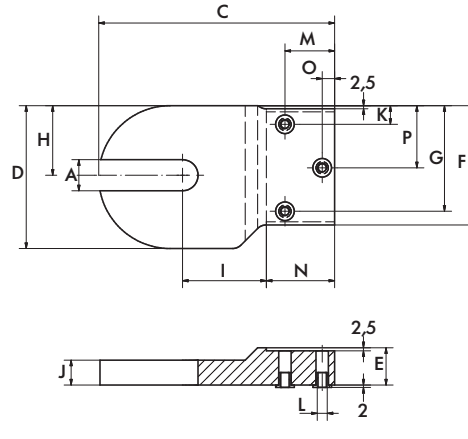


Fig.: Right bracket (A) PE

Drum motor/ deflection roller	A [mm]	C [mm]	D [mm]	S [mm]	F [mm]	G [mm]	H [mm]	I [mm]	J [mm]	K [mm]	L	M [mm]	N [mm]	O [mm]	P [mm]
DM 0113	20	190	115	30	96	85	56	67.5	20	15	M8	40	55	10	50
	25	190	115	30	96	85	56	67.5	20	15	M8	40	55	10	50
DM 0138	20	200	140	30	121	110	67	65	20	15	M10	40	55	10	62.5
	25	200	140	30	121	110	67	65	20	15	M10	40	55	10	62.5
DM 0165	30	240	170	30	146	122.5	81	100	20	27.5	M10	40	55	10	75

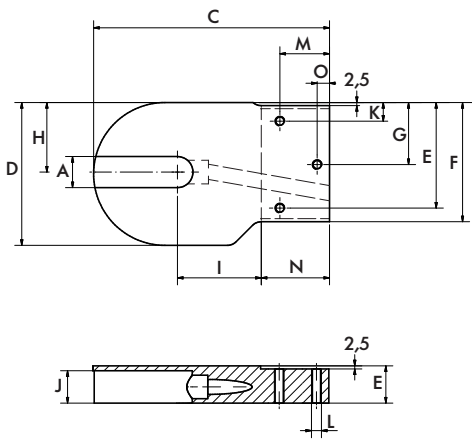


Fig.: Right bracket (A) aluminum or VA with cable connection slot

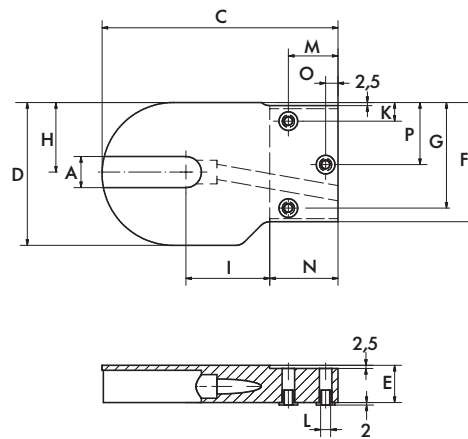


Fig.: Right bracket (A) PE for drum motor with cable connection slot

DM SERIES OPTIONS AND ACCESSORIES MOUNTING BRACKETS

For drum motors and idler pulleys

Drum motor/ deflection roller	A [mm]	C [mm]	D [mm]	S [mm]	F [mm]	G [mm]	H [mm]	I [mm]	J [mm]	K [mm]	L	M [mm]	N [mm]	O [mm]	P [mm]
DM 0113	20	190	115	30	96	85	56	67.5	26	15	M8	40	55	10	50
	25	190	115	30	96	85	56	67.5	26	15	M8	40	55	10	50
DM 0138	20	200	140	30	121	110	67	65	20	15	M10	40	55	10	62.5
	25	200	140	30	121	110	67	65	20	15	M10	40	55	10	62.5
DM 0165	30	240	170	30	146	122.5	81	100	20	27.5	M10	40	55	10	75

DL series

DM series

DP series

Application notes

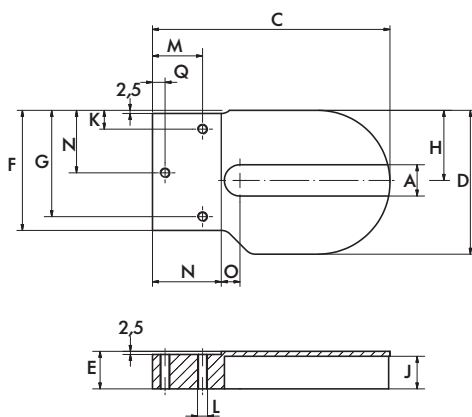


Fig.: Left bracket (B) aluminum or PE

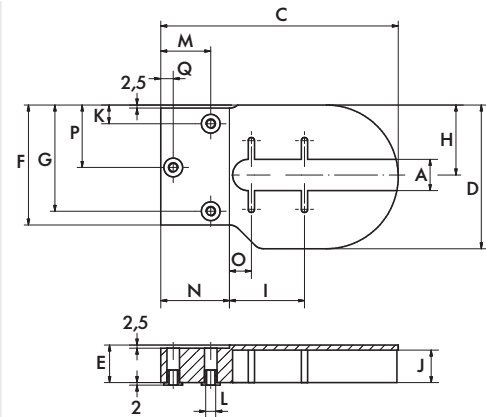


Fig.: Left bracket (B) PE

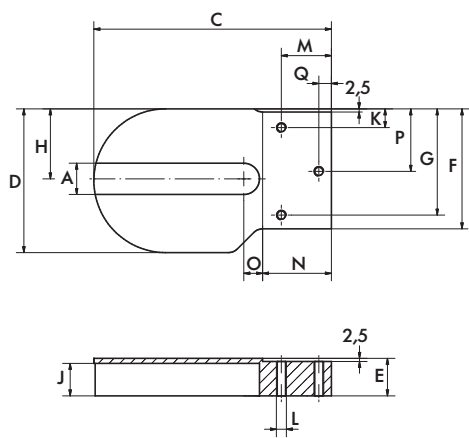


Fig.: Right bracket (C) aluminum or PE

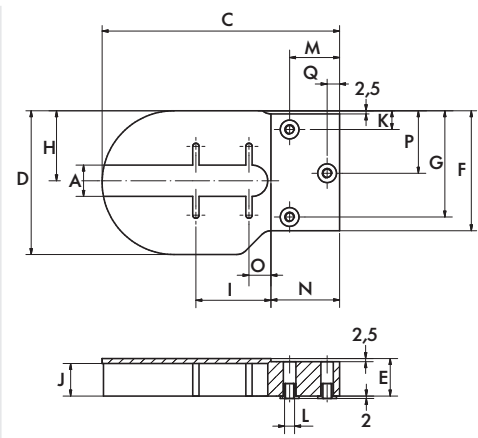


Fig.: Right bracket (C) PE

DM SERIES

OPTIONS AND ACCESSORIES

MOUNTING BRACKETS

For drum motors and idler pulleys

Drum motor/ idler pulley	Material	A [mm]	C [mm]	D [mm]	S [mm]	F [mm]	G [mm]	H [mm]	I [mm]	J [mm]	K [mm]	L	M [mm]	N [mm]	O [mm]	P [mm]	Q [mm]
DM 0113	Aluminum	20	190	115	30	96	85	56	–	26	15	M8	40	55	15	50	10
		25	190	115	30	96	85	56	–	26	15	M8	40	55	15	50	10
	PE	20	190	115	30	96	85	56	60	26	15	M8	40	55	17.5	50	10
		25	190	115	30	96	85	56	60	26	15	M8	40	55	17.5	50	10
	Stainless steel	20	190	115	30	96	85	56	–	26	15	M8	40	55	15	50	10
		25	190	115	30	96	85	56	–	26	15	M8	40	55	15	50	10
DM 0138	Aluminum	20	200	140	30	121	110	67	–	26	15	M10	40	55	15	62.5	10
		25	200	140	30	121	110	67	–	26	15	M10	40	55	15	62.5	10
	PE	20	200	140	30	121	110	67	62.5	26	15	M10	40	55	17.5	62.5	10
		25	200	140	30	121	110	67	62.5	26	15	M10	40	55	17.5	62.5	10
	Stainless steel	20	200	140	30	121	110	67	–	26	15	M10	40	55	15	62.5	10
		25	200	140	30	121	110	67	–	26	15	M10	40	55	15	62.5	10
DM 0165	Aluminum	30	240	170	30	146	122.5	81	–	26	27.5	M10	40	55	20	75	10