

DM SERIES LAGGING AND COATING LAGGING

For modular plastic belt applications



Hygienic, quiet and long lifespan

Based on the specifications of the specific belt manufacturer, up to 38 teeth mesh with the profile of the most common modular plastic belts. The lagging made of hot-vulcanized NBR is suitable for applications in food processing with high hygienic requirements: Easy to clean and extremely resistant to oil, grease and chemicals. Furthermore, it ensures smooth running and provides a long lifespan of the belt due to its low abrasion.

Note: It is important to incorporate a calculation of belt pull and speed that is adjusted to the greater outer diameter of the drum motor. Please refer to the velocity factor (VF) in the table on page 113.



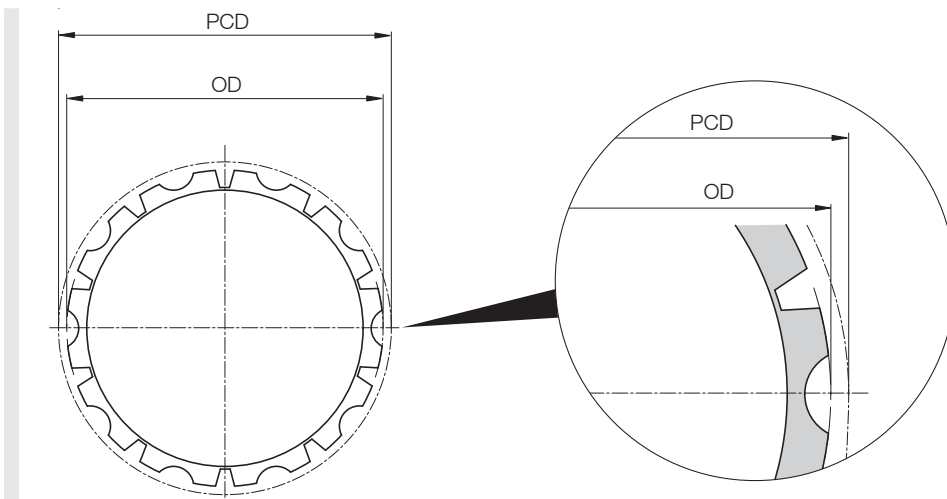
DM SERIES LAGGING AND COATING LAGGING

For modular plastic belt applications

Technical data

Material	Hot vulcanized NBR
Temperature range	-40 to +120 °C
Shore hardness	70 ± 5 Shore A
Colors	White/blue
Approvals	FDA/EC 1935/2004

Versions



OD = Outer diameter in mm PCD = Pitch diameter in mm

Lagging DM 0080 product selection

Belt manufacturer	Series	Lagging DM 0080			
		Z	OD [mm]	PCD [mm]	VF
Ammeraal Beltech/Uni-Chains	HDS60500	24	98.5	97.3	1.21
	HDS61000	12	99.0	98.1	1.22
	HDS62000	7	110.8	114.1	1.42
	CNB	12	98.0	98.5	1.22
	MPB	7	105.5	117.1	1.45
	S-MPB	12	97.9	100.1	1.24
Habasit	M1220/1230/1233/1234 PE/AC	24	92.5	97.3	1.21
	M1220/1230/1233/1234 PP	24	96.0	101.0	1.25
	M2510/M2511/M2514/2516	12	99.4	99.0	1.23

DM SERIES LAGGING AND COATING LAGGING

For modular plastic belt applications

Belt manufacturer	Series	Lagging DM 0080			
		Z	OD [mm]	PCD [mm]	VF
Intralox	800	7	105.5	116.5	1.45
	1600	13	105.8	105.8	1.31
	1650	13	104.9	105.8	1.31
	1100 FG PE/AC	20	91.0	98.9	1.23
	1100 FG PP	20	91.5	99.5	1.24
	1100 FT PE/AC	20	93.5	97.3	1.21
	1100 FT PP	20	94.0	98.3	1.22
Rexnord	1010	12	97.5	98.1	1.22
Scanbelt	S.25-100 & 600	12	92.2	98.7	1.23
	S.25-800	12	93.6	96.8	1.20
Forbo-Siegling	LM14 Series 4	21	93.0	95.3	1.18
	LM14 Series 2	13	107.0	107.0	1.33
	LM50 Series 6	7	107.5	116.2	1.44

Lagging DM 0113 product selection

Belt manufacturer	Series	Lagging DM 0113			
		Z	OD [mm]	PCD [mm]	VF
Ammeraal Beltech/Uni-Chains	HDS60500	32	131.0	129.6	1.14
	HDS61000	16	132.0	130.2	1.15
	HDS62000	9	144.2	146.2	1.29
	CNB	16	131.0	130.7	1.15
	MPB	9	140.0	148.5	1.31
	OPB-4	9	144.0	146.2	1.29
	OPB-8	9	139.5	146.2	1.29
	S-MPB	16	132.0	132.3	1.17
	UNI QNB	16	131.2	130.7	1.15
	X-MPB	8	152.0	165.9	1.46
	Habasit	M1220/1230/1233/1234 PE/AC	32	125.0	129.6
M1220/1230/1233/1234 PP		32	128.0	132.6	1.17
M2510/M2511/M2514/2516		16	132.8	131.6	1.16
M5000		9	140.0	149.0	1.31

DM SERIES LAGGING AND COATING LAGGING

For modular plastic belt applications

Belt manufacturer	Series	Lagging DM 0113			
		Z	OD [mm]	PCD [mm]	VF
Intralox	800	9	140.1	148.5	1.31
	850	9	143.6	148.5	1.31
	1600	16	130.5	130.2	1.15
	1650	16	129.3	130.2	1.15
	1800	8	152.0	165.9	1.46
	1100 FG PE/AC	26	120.6	128.4	1.13
	1100 FG PP	26	121.4	129.1	1.14
	1100 FT PE/AC	27	128.0	131.0	1.15
	1100 FT PP	26	124.0	127.6	1.12
Rexnord	1010	16	130.0	130.2	1.15
	2010	9	138.8	147.9	1.30
Scanbelt	S.25-100 & 600	16	123.0	128.2	1.13
	S.25-800	16	125.8	128.3	1.13
	S.50-100 & 600	9	131.2	146.8	1.29
	S.50-800	9	136.0	146.2	1.29
	S.50-801	9	138.0	139.0	1.22
Forbo-Siegling	LM14 Series 2	16	131.5	131.5	1.16
	LM50 Series 3	9	140.0	146.2	1.29
	LM50 Series 6	9	137.5	146.2	1.29

Lagging DM 0138 product selection

Belt manufacturer	Series	Lagging DM 0138			
		Z	OD [mm]	PDC [mm]	VF
Ammeraal Beltech/Uni-Chains	HDS60500	38	155.2	153.8	1.11
	HDS61000	19	156.6	154.3	1.12
	HDS62000	10	160.5	161.8	1.17
	CNB	19	155.5	154.9	1.12
	MPB	10	156.6	164.4	1.19
	OPB-4	10	160.0	161.8	1.17
	OPB-8	10	155.5	161.8	1.17
	S-MPB	20	165.0	164.9	1.19
Eurobelt	B50	10	154.0	161.8	1.17

DM SERIES LAGGING AND COATING LAGGING

For modular plastic belt applications

Belt manufacturer	Series	Lagging DM 0138			
		Z	OD [mm]	PDC [mm]	VF
Habasit	M1220/1230/1233/1234 PE/AC	38	149.5	153.8	1.11
	M1220/1230/1233/1234 PP	38	154.0	158.6	1.15
	M2510/M2511/M2514/2516	20	165.0	163.5	1.18
	M5000	10	158.0	165.7	1.20
Intralox	800	10	156.8	164.4	1.19
	1600	20	163.0	162.4	1.18
	1650	20	162.0	162.4	1.18
	1800	9	174.0	185.7	1.35
	1100 FG PE/AC	32	150.0	157.8	1.14
	1100 FG PP	32	151.0	158.8	1.15
	1100 FT PE/AC	32	152.6	156.0	1.13
	1100 FT PP	32	153.0	156.9	1.14
Rexnord	2010	10	156.8	165.0	1.20
Scanbelt	S.25-100 & 600	19	146.5	151.9	1.10
	S.25-800	20	157.8	159.8	1.16
	S.50-100 & 600	11	164.5	178.2	1.29
	S.50-800	10	155.2	163.9	1.19
	S.50-801	10	155.0	164.0	1.19
Forbo-Siegling	LM50 Series 3	10	157.0	161.8	1.17
	LM50 Series 6	11	170.6	180.0	1.30

Lagging DM 0165 product selection

Belt manufacturer	Series	Lagging DM 0165			
		Z	OD [mm]	PDC [mm]	VF
Ammeraal Beltech/Uni-Chains	HDS62000	12	193.0	193.3	1.18
	MPB	12	190.0	196.3	1.20
	S-MPB	24	198.0	199.0	1.21
Eurobelt	B50	12	187.0	193.2	1.18
Habasit	M2510/M2511/M2514/2516	23	190.5	189.7	1.16
	M5000	12	190.5	197.2	1.20

DM SERIES LAGGING AND COATING LAGGING

For modular plastic belt applications

Belt manufacturer	Series	Lagging DM 0165			
		Z	OD [mm]	PDC [mm]	VF
Intralox	800	12	190.0	196.3	1.20
	850	12	187.0	196.3	1.20
	1600	23	187.4	186.5	1.14
	1650	23	186.3	186.4	1.14
	1100 FT PP	38	184.0	186.2	1.14
Scanbelt	S.50-100 & 600	12	179.0	193.0	1.18
	S.50-800	12	185.0	193.2	1.18
	S.50-801	12	185.0	195.6	1.19
Forbo-Siegling	LM50 Series 3	12	189.0	193.2	1.18
	LM50 Series 6	13	205.0	208.9	1.27

Lagging DM 0217 product selection

Belt manufacturer	Series	Lagging DM 0217			
		Z	OD [mm]	PDC [mm]	VF
Ammeraal Beltech/Uni-Chains	MPB	15	239.0	244.3	1.12
Intralox	800	15	239.0	244.3	1.12
	1600	30	244.3	243.0	1.12
Scanbelt	S.50-100 & 600	16	244.0	256.3	1.18
	S.50-800	15	233.5	240.5	1.11
Forbo-Siegling	LM50 Series 3	16	251.5	256.3	1.18

Z = Number of teeth PCD = Pitch diameter in mm
 OD = Outer diameter in mm VF = Velocity factor

Note: Only possible for motors of DM series.

If your preferred belt type or manufacturer is not listed here, please contact Interroll.