

SWITCHING POWER SUPPLIES

SWITCHING POWER SUPPLY HP5424



24V

48V

20W

35W

50W

AI

BI

Application area

Voltage supply of MultiControl or ConveyorControl system via flat cable. Voltage supply of DriveControl or ZoneControl via round cable. Basic voltage supply of 24-V DC products.

Product description

The Interroll switching power supply HP5424 is a three-phase power supply for providing 24-V DC voltage. The robust housing achieves a protection rating of IP54. This allows placement in the immediate vicinity of the products to be supplied with 24 V DC, such as Interroll MultiControl. The central voltage supply saves costs for control cabinets and allows very short lines which, in turn, lead to cost savings and error reduction with respect to voltage drops on the line.

The HP5424 is immediately operational, all required functions, such as circuit protection or maintenance switches, are already present. Given its high level of overload capability, the power supply is perfectly adjusted to the current requirements of the RollerDrive EC5000. This ensures the power supply of several RollerDrive starting at the same time.

Properties

- No installation in switch cabinet required
- Compact design using heat dissipation element
- Very high peak output (150 %)
- Adjustable circuit protection (jumper)
- Overcurrent protection with resettable fuse
- Status signal
- LED status display
- 400 V AC can be looped through
- 4 24-V DC outputs are available
- Multiple terminal points, no special and expensive connectors required
- Brake chopper for limiting feedback voltage – resulting in feedback capability
- Lockable maintenance switch against reactivation
- Screw for connecting/disconnecting ground potential of primary side with ground of secondary side
- Maintenance-free
- No power reduction (derating) over the entire operating temperature range



SWITCHING POWER SUPPLIES

SWITCHING POWER SUPPLY HP5424

Technical data

Electrical data	
Rated supply voltage	400 V AC, 3 phases
Supply system voltage range	380 to 480 V AC \pm 10 %
Supply system frequency	50 to 60 Hz \pm 6 %
Supply system power consumption	Typically 1.6 A per phase at 3 x 400 V AC
Rated output voltage	24 V DC
Rated output power	960 W
Rated peak power	Max. 1440 W at 24 V DC for 4 s, repetition rate depends on duration and actual peak load
Maximum output current	60 A at 24 V DC for 4 s
Current limitation for each output	10, 16, 25 A
Efficiency	Min. 92 %
Feedback resistance	\leq 35 V DC
Brake chopper	30 W (briefly 200 W)
Ambient conditions	
Protection rate	IP54
Ambient temperature in operation	-22 to 104 °F
Ambient temperature during transport and storage	-40 to 176 °F
Max. installation height above sea level	3280 ft*
Miscellaneous data	
Weight	9 lbs
Color	RAL9005 (black)

* The installation in systems at an altitude above 3280 ft is possible. However, this can lead to a reduction of the performance values.

SWITCHING POWER SUPPLIES

SWITCHING POWER SUPPLY HP5424



24V

48V

20W

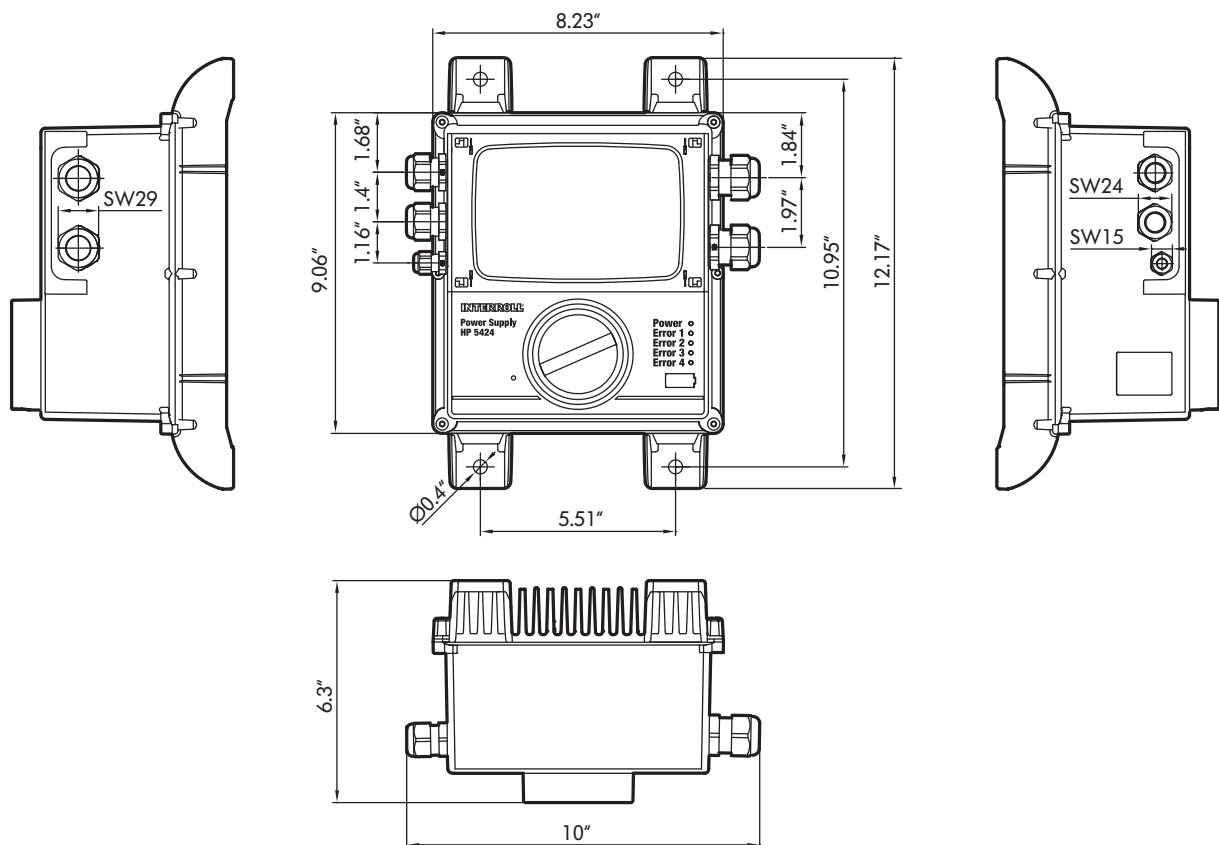
35W

50W

AI

BI

Dimensions



Accessories

Set of rubber seals for all cable screw connections

- 24-V DC output for one flat cable, article number: S-1115406
- 24-V DC output for two flat cables, article number: S-1115407
- 24-V DC output for a round cable (\varnothing 0.19" up to 0.51"), article number: S-1115405

Scope of delivery

- Fit all cable screw connections (in the screwed-on condition) with dummy plugs. Jumper for current limitation of all cables.