

# ACCESSORIES

## Counter wrench

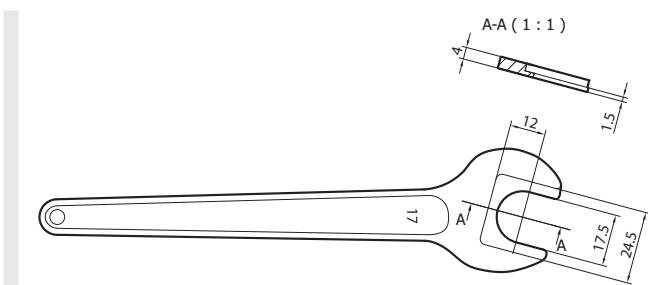


The RollerDrive has a glued-on ribbed nut that is located at the bearing housing. An additional nut is used to screw the RollerDrive in the side profile. Depending on the condition of the side profile, the glued-on nut must be secured with a counter wrench while tightening the outside nut.

The counter wrench size 17 WAF fits perfectly between the flange of the ribbed nut and the bearing housing of the RollerDrive.

Article number: S-1101270

### Dimensions



**Note:** Measurements in mm.

## RollerDrive EC5000 extension cable



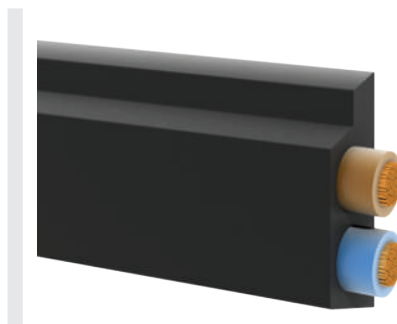
The connecting cable of the EC5000 can be extended easily with a plug connection by using the RollerDrive extension cable.

Article number: S-1113897

### Technical data

- Temperature range: -22 to 104 °F
- Color: Black
- Length: 78.7"
- Outside diameter: 0.2"
- Plug connection: M8 snap-in plug and socket
- Protection rate: IP67 in connected state
- Cross sections: 3 x 0.14 mm<sup>2</sup> and 2 x 0.5 mm<sup>2</sup>
- Type designation of the cable: Li9Y11Y
- Bending radius with fixed laying: > 5 \* diameter of the cable
- Bending radius with flexible application: > 10 \* diameter of the cable
- Properties: Halogen-free, UL-certified cable
- Suitable for drag chains: Yes

## Voltage supply flat cable



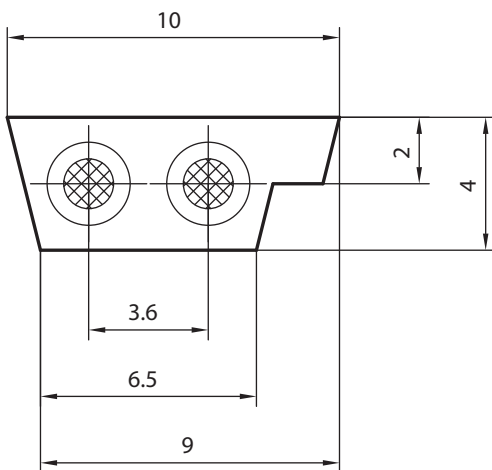
The flat cable is used for the voltage supply of ConveyorControl and MultiControl. The outer contour of the line corresponds to the standard of AS interface. The shell of the line covers holes that were created by piercing contacts. This means that the cable maintains the protection rating even after disconnecting a control.

Article number: S-1106644

## Technical data

- Temperature range: -18 to 104 °F
- Strand insulation: Brown for voltage, blue for ground
- Length: 164 ft
- Cross section of braids: 2.5 mm<sup>2</sup>
- Maximum voltage: 60 V DC
- Protection rate: IP54 in contacted state
- UL CL2
- Halogen-free

## Dimensions



**Note:** Measurements in mm.

## MultiControl communication cable



The prefabricated Ethernet cable is used for communication with MultiControl. The cable allows connecting one MultiControl with another MultiControl, another bus node, a switch or a PLC.

Article number: S-1104438

## Technical data

- Temperature range: -22 to 104 °F
- Color: Green
- Length: 118"
- Outside diameter: 0.26"
- Plug connection: M12, straight on M12, straight
- Protection rate: IP67 in contacted state
- Line: Cat5, shielded
- UL1581

## MultiControl Y-cable



The Y-cable with M8 plugs enables the use of an additional input or output at the MultiControl.

Article number: S-1104460

## Technical data

- Temperature range: -22 to 104 °F
- Color: Black
- Length: 11.81" (+ plug)
- Outside diameter: 0.2"
- Plug connection with single connector: M8, straight, screwed, 4-pin, for connecting to a MultiControl
- Plug connection with dual connector: A) M8, straight, screwed, 4-pin, for connecting to a zone sensor  
B) M8, straight, screwed, 4-pin, for connecting to an input or output
- Protection rate: IP67 in contacted state

## Cable distribution

The cable distribution allows splitting a flat cable. MultiControl in its initial design (article number S-1101834) allowed connecting a second flat cable as an option for the voltage supply of connected RollerDrive. MultiControl in its new design (article number S-1103563) requires two voltage supplies in principle. If the new design of MultiControl is to be used as spare part in a system that features only flat cables for voltage supply, the cable distribution can be used.