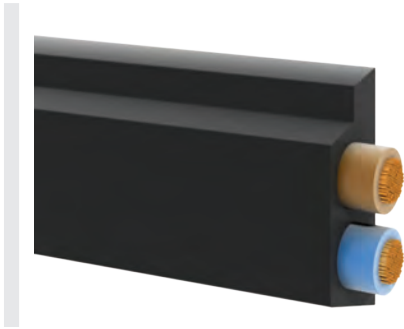


Voltage supply flat cable



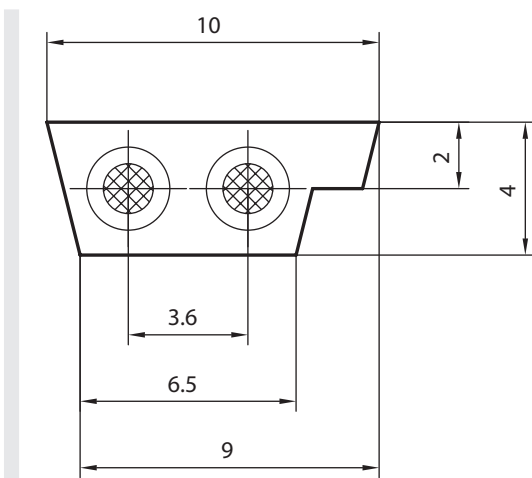
The flat cable is used for the voltage supply of ConveyorControl and MultiControl. The outer contour of the line corresponds to the standard of AS interface. The shell of the line covers holes that were created by penetration contacts. This means that the cable maintains the protection rating even after disconnecting a control.

Article number: S-1004030

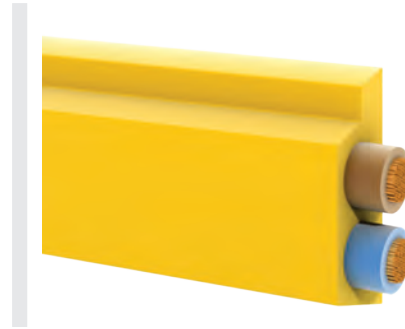
Technical data

- Temperature range: -28 to $+40$ °C
- Strand insulation: Brown for $+24$ V, blue for ground
- Length: 25 m
- Cross section of braids: 2.5 mm^2
- Protection rating: IP54 in contacted state
- UL CL2

Dimensions



ConveyorControl communication cable



The flat cable is used for the communication of the ConveyorControl control system. The different controls of the system simply contact the line via penetration contacts. The outer contour of the line corresponds to the standard of AS interface. The shell of the line covers holes that were created by penetration contacts. This means that the cable maintains the protection rating even after disconnecting a control.

Article number: S-1004031

Technical data

- Temperature range: -28 to $+40$ °C
- Strand insulation: Brown for $+24$ V, blue for ground
- Length: 50 m
- Cross section of braids: 1.5 mm^2
- Protection rating: IP54 in contacted state
- UL CL2

Dimensions

