

# ACCESSORIES

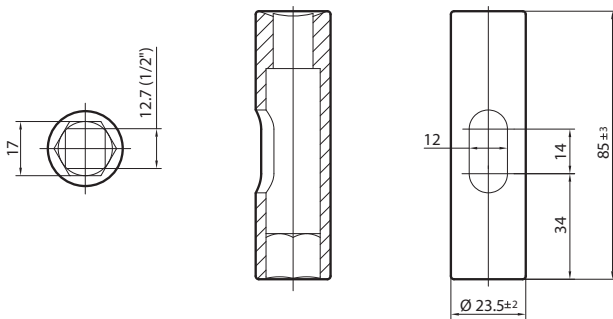
## Fastening socket



The fastening socket is used for tightening according to the torque of the RollerDrive fastening nut using a torque wrench. The socket features a lateral opening through which the RollerDrive connecting cable can be fed to the outside.

Article number: S-1101248

### Dimensions



## Counter wrench



The RollerDrive has a glued-on ribbed nut that is located at the bearing housing. An additional nut is used to screw the RollerDrive in the side profile. Depending on the condition of the side profile, the glued-on nut must be secured with a counter wrench while tightening the outside nut.

The counter wrench size 17 WAF fits perfectly between the flange of the ribbed nut and the bearing housing of the RollerDrive.

Article number: S-1101270

### Dimensions

