

# INTERROLL DRUM MOTOR 113S DC

Compact premium drive for light-duty conveyors

## Product Description

Because of its strength, reliability and zero maintenance, this drum motor is perfect for supermarket applications.

- ✓ Small light-duty conveyors
- ✓ Bottle recycling
- ✓ Brush type 24 V DC
- ✓ Techno-polymer planetary gearbox
- ✓ Low noise
- ✓ Lightweight
- ✓ Supermarket checkout conveyors
- ✓ Maintenance-free
- ✓ Lifetime lubricated
- ✓ Reversible

**Note:** For applications with positive drive belts please use a frequency converter or cool-running drum motor.

## Technical Data

Motor data	
Motor type	Brush type 24 V DC
Insulation class of motor windings	Class B, IEC 34 (VDE 0530)
Voltage	24 V DC
Internal shaft sealing system	Double-lipped, NBR
External shaft sealing system	Deflection seal, NBR
Protection rate	IP64
Ambient temperature, 1-phase motor	+10 to +40 °C
Dimensions	
Shell length SL	273 to 702 mm

## Order Information

Please refer to fold-out page at the end of the catalogue.

## Material Versions

Component	Version	Material	
		Aluminium	Mild steel
Shell	Crowned		✓
	Cylindrical		✓
End housing	Standard	✓	
Shaft cap	Standard	✓	

## Options

- Lagging for friction drive belts
- Sprockets for plastic modular belts
- Backstops
- Balancing
- Food-grade grease
- Low temperature grease
- UL/cUL safety certifications
- Non-horizontal mounting (more than ± 5°)

**Note:** Please refer to the drum motor catalogue for detailed information.

## Accessories

- Anti-vibration brackets, see p 44
- Idler pulleys, see p 46
- Conveyor rollers, see p 48

## Product Range

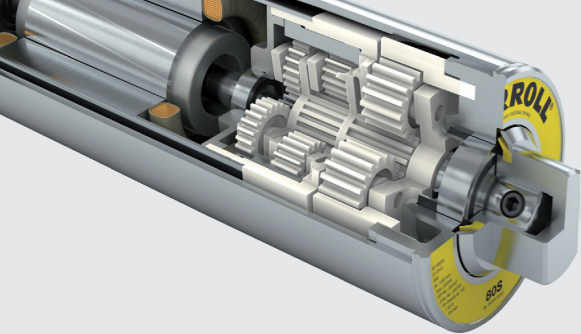
The following tables give an overview of the possible motor versions. Choosing versions without exclamation mark will ensure the lowest cost and fastest delivery. When ordering, please specify the version in accordance with the configurator on the fold-out page.

### Mechanical data for 1-phase motors

P <sub>N</sub> kW	gs	i	v m/s	n <sub>A</sub> min <sup>-1</sup>	M <sub>A</sub> Nm	F <sub>N</sub> N	TE N	Min. start weight Kg	SL <sub>min</sub> mm
0.044	3	115.2	0.18	26	12.6	223	2,000	71	273
		96.0	0.21	30	10.5	186	2,000	57	273
		78.5	0.26	37	8.6	152	2,000	47	273
		71.6	0.29	42	7.8	138	2,000	42	273
		63.5	0.32	46	7.0	124	2,000	37	273
		52.9	0.39	56	5.8	103	2,000	31	273
		48.8	0.42	60	5.4	96	2,000	28	273
		43.3	0.47	68	4.7	83	2,000	25	273
		19.2	1.07	154	1.6	28	1,500	11	273
		16.0	1.28	184	1.3	23	1,500	9	273
		13.1	1.56	224	1.1	19	1,500	8	273

P <sub>N</sub>	Rated power
gs	Gear stages
i	Gear ratio
v	Rated velocity of the shell
n <sub>A</sub>	Rated revolutions of the shell
M <sub>A</sub>	Rated torque of drum motor
F <sub>N</sub>	Rated belt pull of drum motor
TE	Max. belt tension
SL <sub>min</sub>	Min. shell length

### Motor versions



# INTERROLL DRUM MOTOR 113S DC

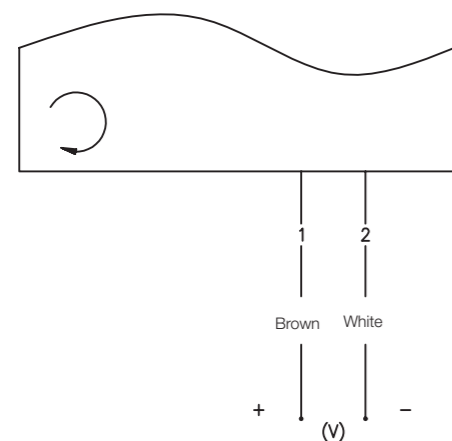
Compact premium drive for light-duty conveyors

Drum Motors  
113S DC

## Cable Specifications

- 2 x 1.5 mm<sup>2</sup>
- Halogen-free
- Ø Cable: 7 mm
- Length: Minimum 1.1 m (Other lengths available on request)
- Available with common connectors

## Connection Diagrams



**Note:** For CCW rotation interchange brown (1) and white (2).

## Dimensions

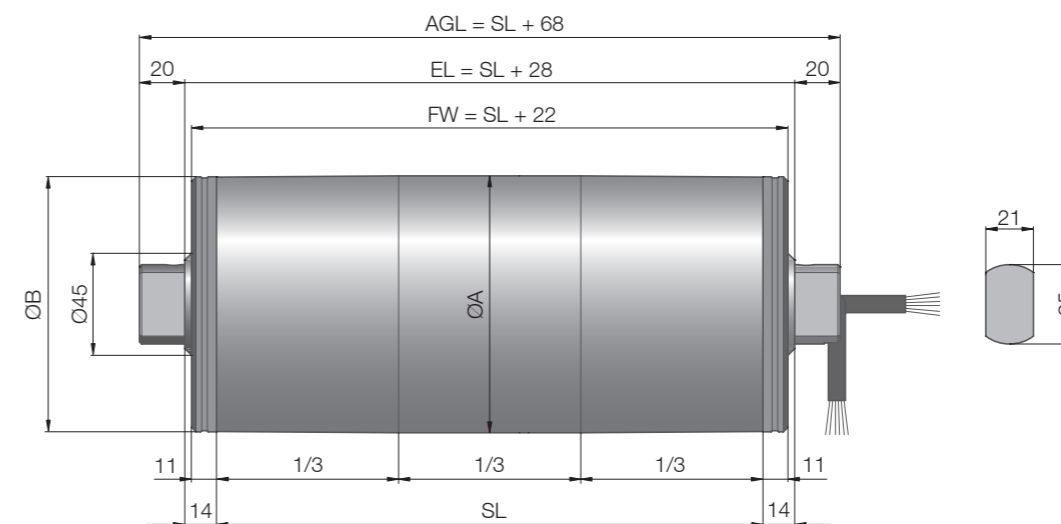


Fig.: Drum motor with straight connector

Type	Ø A mm	Ø B mm
113S DC crowned shell	113.3	112.3
113S DC cylindrical shell	113.3	113.3

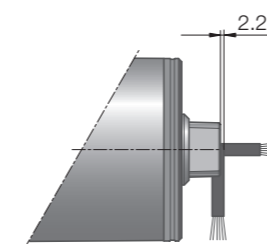


Fig.: Shaft cap

The drum motor's weight depends on its length.

Shell length SL in mm	273	Weight increases by 0.6 kg in 50 mm increments	702
Average weight in kg	5.5		10.7

Standard  
dimensions

Connector  
dimensions

Standard length  
and weight