

DM SERIES OPTIONS AND ACCESSORIES RECTIFIERS

For drum motors and idler pulleys

Rectifiers

Electromagnetic brakes on drum motors are operated via rectifiers. Different versions are available depending on the applications: Half-wave and bridge rectifiers for standard applications as well as fast acting and multiswitch rectifiers for applications in which short opening delay times are necessary.

Every rectifier is an external component that must be covered or installed in a control box as close to the drum motor as possible.

Technical data

Input voltage [V AC]	Brake voltage [V DC]	Starting voltage [V DC]	Holding voltage [V DC]	Version	Application	Article number
115	104	104	52	Fast acting rectifier	A or B	61 011 343
230	207	207	104	Fast acting rectifier	A or B	61 011 343
230	104	104	104	Half-wave rectifier	A	1 001 440
230	104	190	52	Phase rectifier	A or B	1 001 442
230	207	207	104	Fast acting rectifier	A or B	1 001 443
400	104	180	104	Multiswitch rectifier	A or B	1 003 326
460	104	180	104	Multiswitch rectifier	A or B	1 003 326
460	207	207	207	Half-wave rectifier	A	1 001 441
460	207	414	207	Fast acting rectifier	A or B	1 001 443

A = Continuous operation

B = Frequent starts/stops

Using a fast acting rectifier or a phase rectifier will save energy because the holding voltage is lower than the starting voltage.

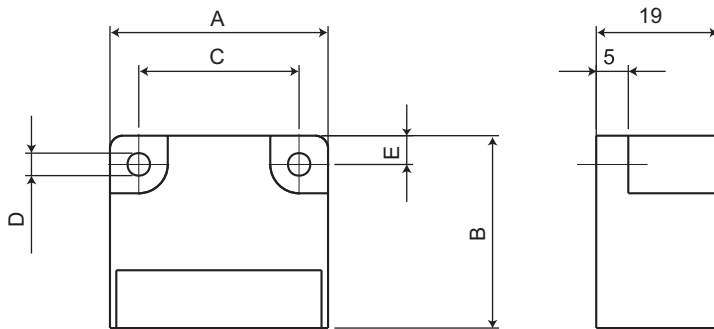
Shielded cables should be used to protect against EMC.

DM SERIES OPTIONS AND ACCESSORIES RECTIFIERS

For drum motors and idler pulleys

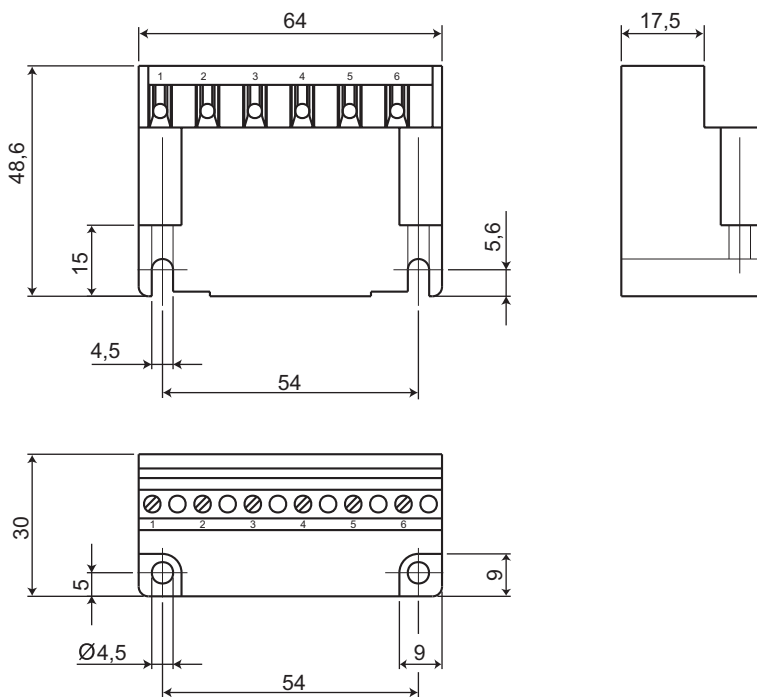
Dimensions

Half-wave rectifier



Article number	A [mm]	B [mm]	C [mm]	D [mm]	S [mm]
1001440	34	30	25	3.5	4.5
1001441	64	30	54	4.5	5

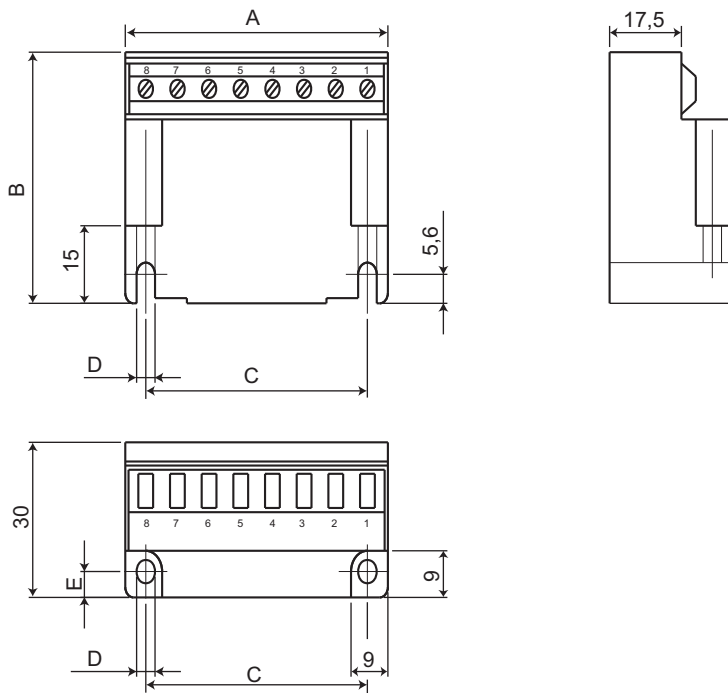
Phase rectifier



DM SERIES OPTIONS AND ACCESSORIES RECTIFIERS

For drum motors and idler pulleys

Fast-acting rectifier

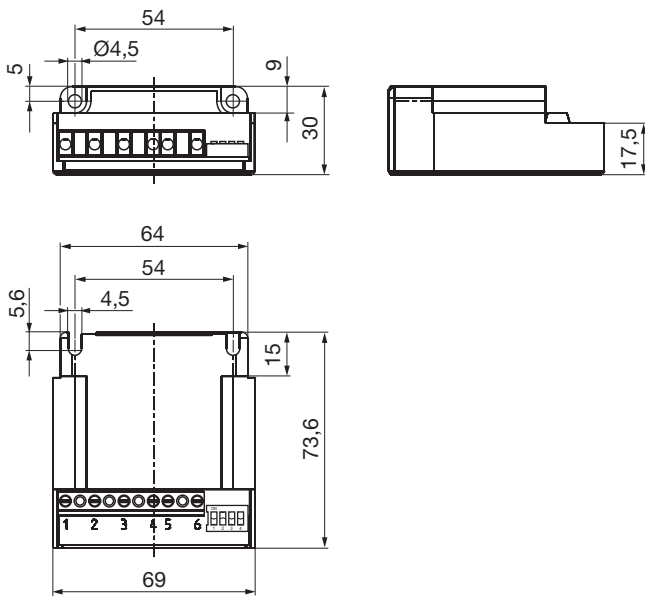


Article number	A [mm]	B [mm]	C [mm]	D [mm]	S [mm]
1001443	64	73.6	54	4.5	5
61011343	64	48.6	54	4.5	5

DM SERIES OPTIONS AND ACCESSORIES RECTIFIERS

For drum motors and idler pulleys

Multiswitch rectifier



DL series

DM series

DP series

Application notes

DM SERIES OPTIONS AND ACCESSORIES RECTIFIERS

For drum motors and idler pulleys

Connection diagram

Interroll recommends installing a switch between (3) and (4) for fast brake release.

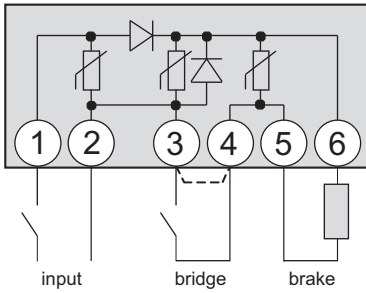


Fig.: Half-wave rectifier

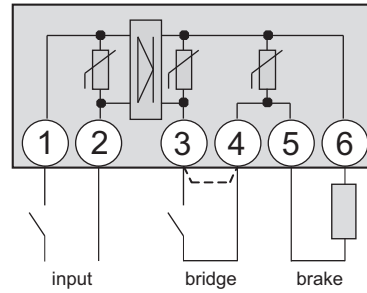


Fig.: Bridge rectifier

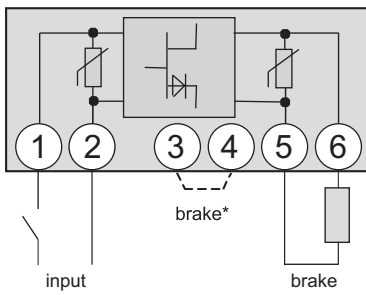


Fig.: Phase rectifier

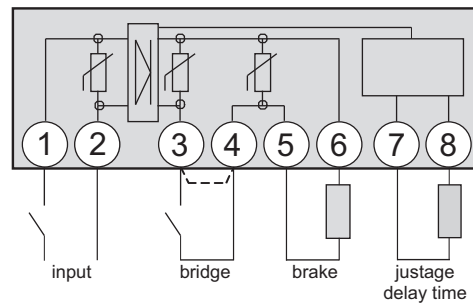


Fig.: Fast-acting rectifier

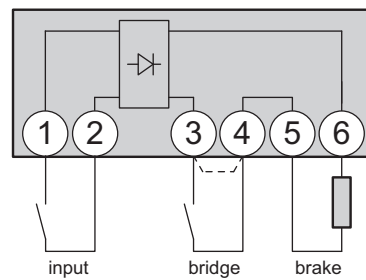


Fig.: Multiswitch rectifier