

## **DL SERIES OPTIONS AND ACCESSORIES IDLER PULLEY WITH INTEGRATED BEARINGS**

---

Interroll deflection rollers can be used on the driven side of conveyor belts. The deflection roller with integrated bearings has a fixed shaft and the same dimensions as a drum motor.



# DL SERIES

## OPTIONS AND ACCESSORIES

### IDLER PULLEY WITH INTEGRATED BEARINGS

#### Technical data

Protection rate	IP66
Max. belt tension	See equivalent drum motor
Max. belt speed	See equivalent drum motor
Drum width	See equivalent drum motor
Internal shaft sealing system	NBR
External shaft sealing system	NBR

#### Design versions

For idler pulleys you can choose the following design versions:

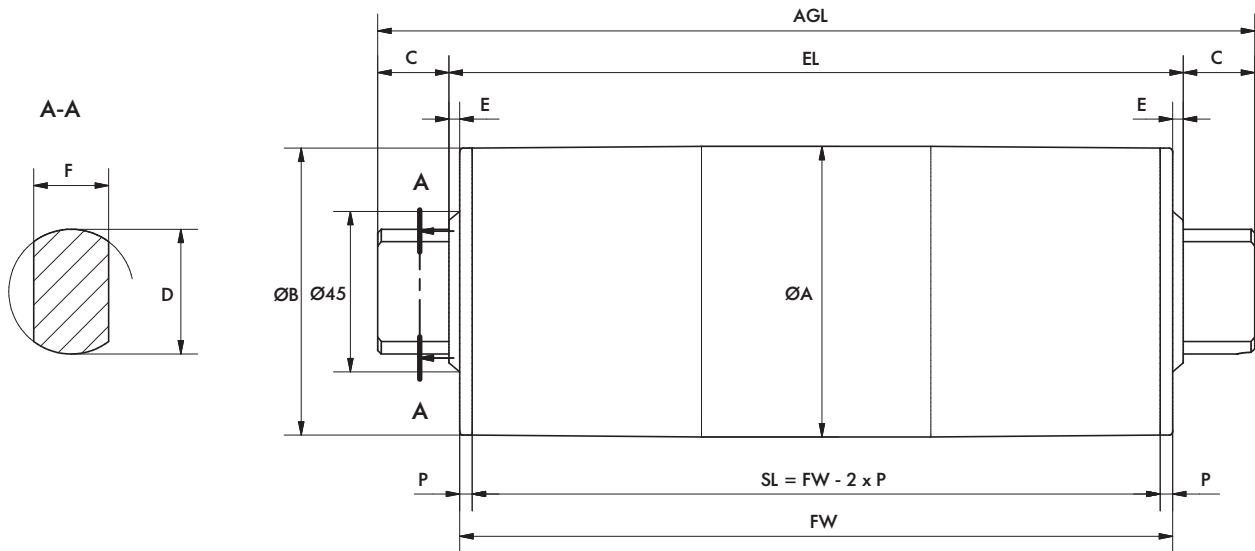
Component	Option	Material			
		Aluminum	Mild steel	Stainless steel	PTFE
Shell	Crowned		●	●	
	Cylindrical		●	●	
End housing		●		●	
Shaft cap				●	
External seal	NBR				●

#### Versions

- Laggings for friction drive belts, page 28

# DL SERIES OPTIONS AND ACCESSORIES IDLER PULLEY WITH INTEGRATED BEARINGS

## Dimensions



Type	A [mm]	B [mm]	C [mm]	D [mm]	S [mm]	F [mm]	P [mm]	SL [mm]	EL [mm]	AGL [mm]
<b>IL 0080 crowned</b> Shell length SL 260 – 602 mm	81.5	80.0	20	35	3	21	5	FW – 10	FW + 6	FW + 46
<b>IL 0080 crowned</b> Mild steel shell, shell length SL 603 – 952 mm	82.7	81.0	20	35	3	21	5	FW – 10	FW + 6	FW + 46
<b>IL 0080 crowned</b> Stainless steel shell, shell length SL 603 – 952 mm	83.0	80.0	20	35	3	21	5	FW – 10	FW + 6	FW + 46
<b>IL 0080 cylindrical</b> Shell length SL 260 – 602 mm	80.5	80.5	20	35	3	21	5	FW – 10	FW + 6	FW + 46
<b>IL 0080 cylindrical</b> Mild steel shell, shell length SL 603 – 952 mm	83.0	83.0	20	35	3	21	5	FW – 10	FW + 6	FW + 46
<b>IL 0080 cylindrical</b> Stainless steel shell, shell length SL 603 – 952 mm	82.7	82.7	20	35	3	21	5	FW – 10	FW + 6	FW + 46
<b>IL 0113 crowned</b>	113.3	112.4	20	35	3	21	11	FW – 22	FW + 6	FW + 46
<b>IL 0113 cylindrical</b>	113.0	113.0	20	35	3	21	11	FW – 22	FW + 6	FW + 46