

# BELT CONVEYORS

## BM 8360

Curve

Powered



24V

48V

400V

### Product description

The Belt Curve Light is a belt curve that is divided into zones and operates with zero pressure accumulation; its drive is based on the Interroll RollerDrive. It is possible to transport and store small products, as well as products not suitable for roller tracks. Not suitable for reversing operation.

### Scope of delivery

- Supply incl. 1 sensor per zone
- Module is completely assembled and prewired
- Please order supports and end caps separately



# BELT CONVEYORS

## BM 8360

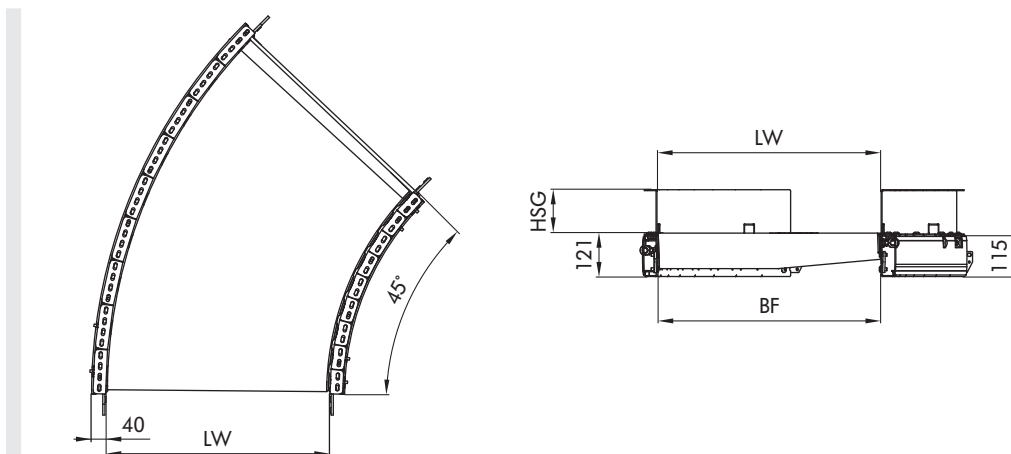
Curve  
Powered

### Technical data

General technical data	
Max. load capacity per zone*	20 kg
Conveyor speed*	Max. 0.5 m/s
Incline/decline	Not suitable
Ambient temperature	+5 to +40 °C
Drive	
Rated voltage	24/48 V
Motor type	Interroll RollerDrive EC5000
Number of zones (N)	1 at 45°, 2 at 90°
Control	MultiControl
Material	
Conveyor belt	Polyester with PVC coating
Slider bed	Rollers, Interroll Series 1700

\*The combination of maximum values is not always possible.

### Dimensions



BF	Rated width	420, 620 mm (others on request)
LW	Lane width	BF
$\alpha$	Angle	1 x 45°/90° (2 x 45°)
TW	Module width	BF + 80 mm
HSG	Side guide height	120 mm