

DL SERIES OPTIONS AND ACCESSORIES ANTI-VIBRATION BRACKETS

Anti-vibration brackets



Product description

Anti-vibration bracket with rubber insulation part for reduction of noise and vibration. The bracket is designed so that the drum motor shaft is secured should the rubber become damaged.

With 2 brackets fitted, max. torque of drum motor must be limited to 40 Nm (354 lbf).

Dimensions

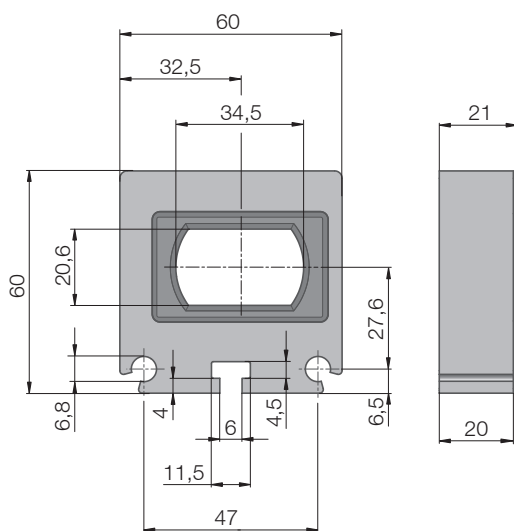


Fig.: Anti-vibration brackets

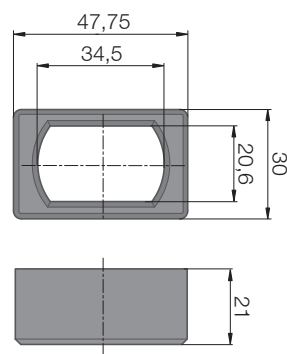


Fig.: Rubber