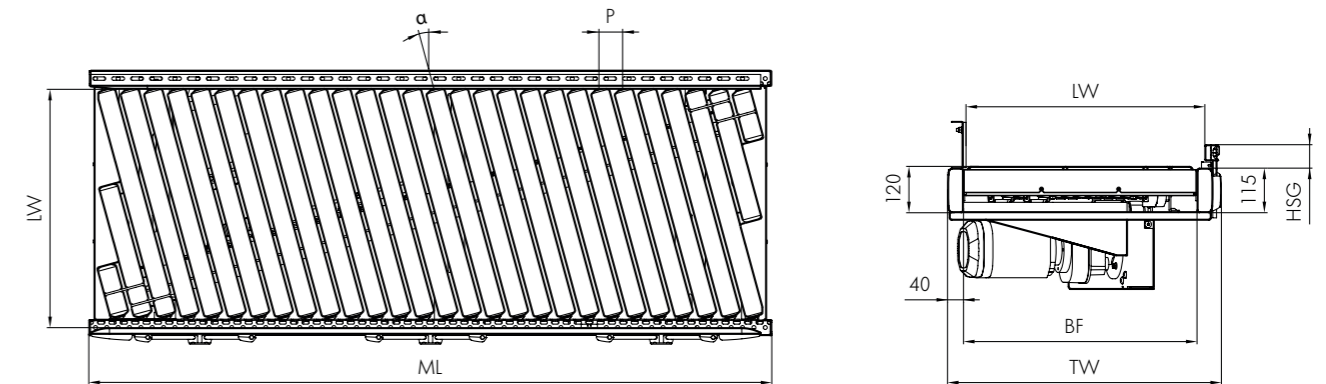


RM 8240

Interroll Roller Conveyor
Alignment Conveyor
400 V powered



Dimensions



Product Description

The alignment conveyor guides products diagonally to the transport direction to a side frame and aligns them to the side guide, if necessary. The side guide must be suitable for this purpose.

Technical data

General technical data	Max. load capacity*	50 kg/m
	Conveyor speed*	0.1 to 1.4 m/s (at 50 kg)
	Incline/decline	Not suitable
	Ambient temperature	-5 to +50 °C
Roller	Roller type	Interroll Series 1700 Interroll Series 3500
	Roller diameter	50 mm
	Roller material	Steel, zinc-plated
Drive	Rated voltage	400 V
	Drive medium	Flat belt

* The combination of maximum values is not always possible.

BF	Between frames	420, 620, 840 mm others on request
LW	Lane width	BF (+120/-90 mm per side with flexible side guide)
ML	Module length	Max. 2040 mm
TW	Module width	BF + 80 mm
P	Roller pitch	60 mm
α	Angle of rollers	7°/15.2°
HSG	Height side guide	35 - 65 mm

Scope of supply

- Module is completely assembled, except for the flat belt
- Supply incl. 1 sensor
- Please order support stands and end caps separately