

CONTROLS

MULTICONTROL ASI BUS 48 V



24V

48V

20W

35W

50W

AI

BI

Product description

The MultiControl is a four-zone control. This means that up to four drives and four zone sensors can be connected. The use of Y-cables enables connecting four additional inputs or outputs. The connections can be configured individually.

Multicontrol operates with ASI-5 technology. They can be connected to PROFINET, Ethernet/IP and EtherCat via a gateway.

A standard flat cable is used for power supply. They can simply be cut to the desired length and can be connected very quickly using the piercing technology of MultiControl.

The separate voltage supply allows a safe power-off of the RollerDrive while the bus communication and sensors can continue to be used.

Addressing is performed via the gateway, hardware addressing device or PC software.



Functions

- Independent power supply for RollerDrive
- Status display with LEDs for all functions and I/Os
- UL-listed
- Voltage limitation via brake chopper
- Variable process images for optimizing the data volumes transferred between MultiControl and PLC
- Functional ground connection
- Polarity reversal protection of voltage supply
- Short circuit-proof design of voltage supply of inputs and outputs

Possible applications

Use of a PLC	Function of a PLC	Function of MultiControl
Yes	<ul style="list-style-type: none"> • The PLC must be programmed and controls all connected RollerDrive via this program • Tracking of conveying goods and error diagnostics 	<ul style="list-style-type: none"> • Function as input/output card • Transmits the status of all sensors, RollerDrive and, if necessary, error information to the PLC

Technical data

General	
Motor rollers	4x Interroll (EC5000 AI, 24 V, 20 W / 35 W / 50 W)
ASi	
Address	1 ASi-5
Required ASi specification of the master	ASi-5
Rated operational voltage	30 V DC: 18 to 31.6 V
Max. current consumption	320 mA
Max. current consumption without sensor/actuator supply	80 mA
AUX	
Rated voltage	48 V DC
Voltage range	48 V DC: 45 to 51 V DC
Protection rate	IP54
Can be used with passively safe-switched AUX cable up to SIL3/PLe	Yes
Ambient conditions	
Ambient temperature in operation	-30 to 40 °C
Ambient temperature during transport and storage	-25 to 85 °C
Max. installation height above sea level	2000 m

CONTROLS

MULTICONTROL ASI BUS 48 V



24V

48V

20W

35W

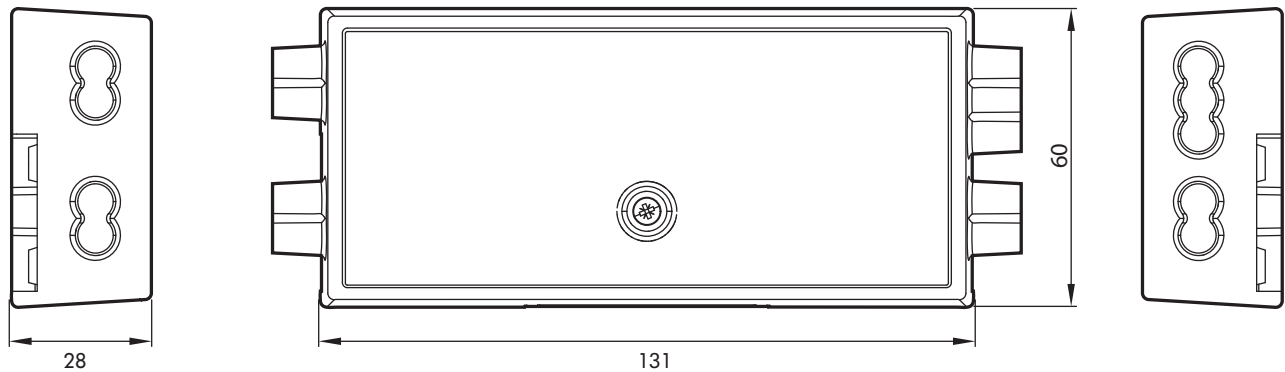
50W

AI

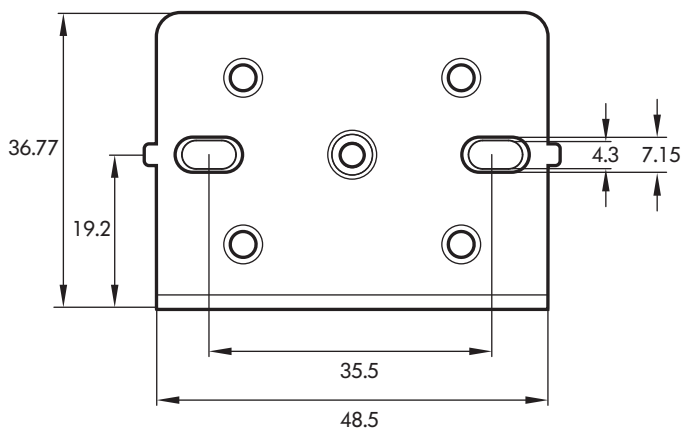
BI

Dimensions

MultiControl



Base plate



Accessories

- Flat cable for voltage supply, page 93
- RollerDrive EC5000 extension cable, page 93
- MultiControl Y-cable, page 94
- Switching power supply HP5448, page 86
- Gateway Profinet
- Gateway Ethernet/IP
- Gateway EtherCat

Ordering information

- Article number: S-1135134
- Scope of supply: Base plate