

ACCESSORIES SUPPORT

24V

400V

Product description

The support is intended for fastening the modules to the floor or lift floor. The support foot is infinitely adjustable. A simple height adjustment via threaded spindle can be ordered as an add-on.

Scope of delivery

- Infinite height adjustment with optional threaded spindle
- Support fully assembled



Technical data

General technical data

Max. load capacity 35 kg/m

Dimensions

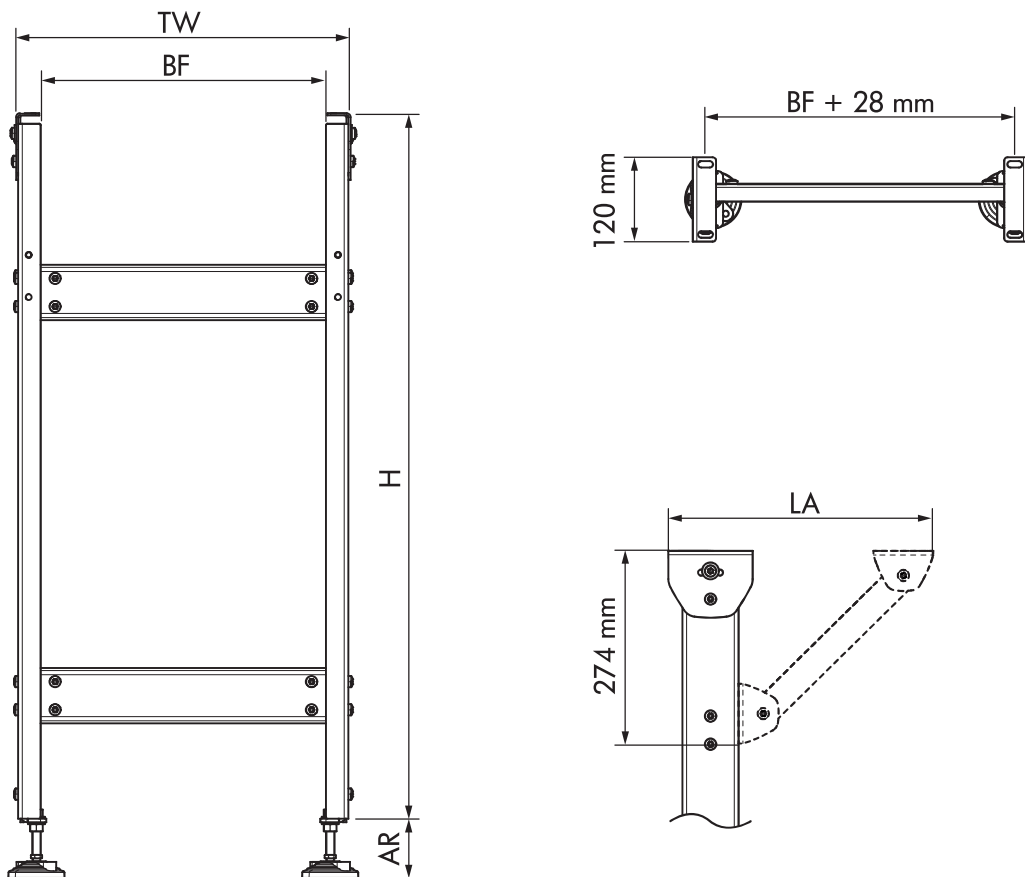


Fig.: Support without and with arm

TW	Module width	Depending on the module ordered
H	Height	50 mm (min. H1) up to 1200 mm (max. H7)
AR	Adjustment range	H1 - H3 = 68 mm, H4 - H7 = 98 mm
BF	Rated width	S, M, L
LA	Arm length measure	Flexibly adjustable depending on module